

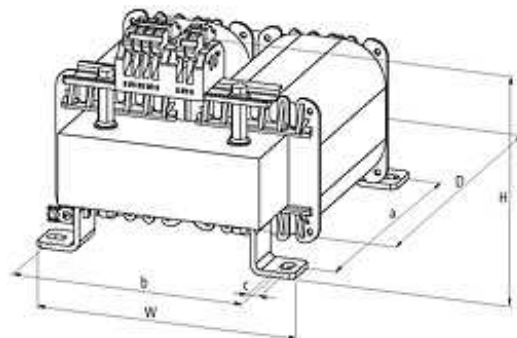
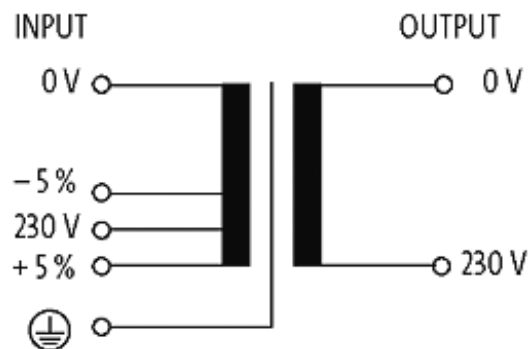
MET 1-PHASE CONTROL AND ISOLATION TRANSFORMER

P: 5000VA IN: 230VAC+/- 5% OUT: 230VAC

Single-phase - Control and Isolation Transformers
5000 VA
Isolation class T 40/B

[Link to Product](#)

Illustration



Product may differ from image

The information in this brochure has been compiled with the utmost care.

Liability for the correctness completeness and topicality of the information is restricted to gross negligence. Version: 05/16

Murrelektronik GmbH | Falkenstraße 3, 71570 Oppenweiler | Fon +49 (71 91) 47-0, Fax +49 (71 91) 47-491000 | shop@murrelektronik.com | shop.murrelektronik.com

Product may differ from image

Approvals



Input

Input voltage	230 V AC \pm 5 %
Frequency	50...60 Hz
Short-circuit current	1257 A (230 V AC)
Input current	22.6 A (230 V AC)
Inrush current	562 A (230 V AC)

General data

Standards	EN 61558-1, EN 61558-2-4, EN 62041 category 0
Test isolation voltage	4 kV (prim./sec.)
Dimensions H \times W \times D	225 \times 198 \times 250 mm
Fixing centers a \times b \times c	200 \times 174 \times 9 mm
Drill hole \varnothing	9 \times 14 mm
Mounting method	Long-hole mounting
Temperature range	-20...+40 °C, no condensation

Output

Output voltage	230 V AC
----------------	----------

Commercial data

country of origin	CZ
customs tariff number	85043200
minimum order quantity	1