

## MTS 1-PHASE CONTROL AND ISOLATION TRANSFORMER

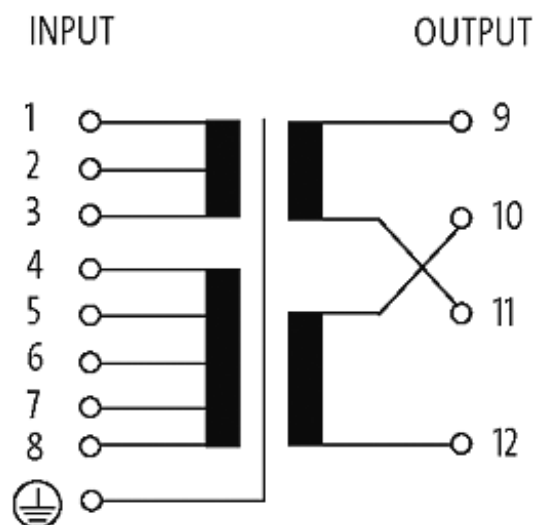
P: 160VA IN: 208...550VAC OUT: 2x115VAC

Single-phase - Control and Isolation Transformers  
160 VA  
Isolation class T 40/B

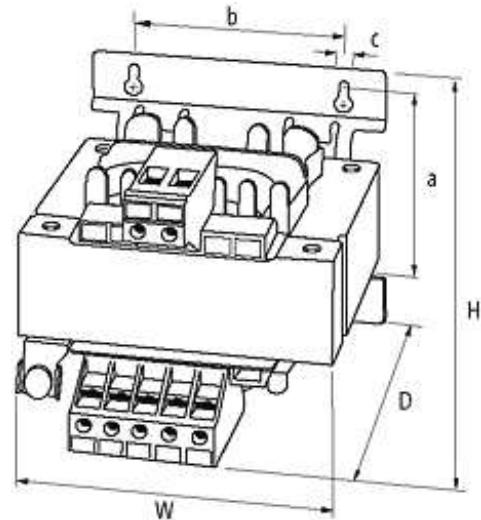
Other voltages on request.

### [Link to Product](#)

#### Illustration



stay connected



Product may differ from Image

### Approvals



### Input

Input voltage	208, 230, 380, 400, 420, 440, 460, 480, 500, 525, 550 V AC
Input current	0.78 A (230 V AC); 0.45 A (400 V AC)
Inrush current	6 A (230 V AC); 3.46 A (400 V AC)
Short-circuit current	9.5 A (230 V AC); 5.5 A (400 V AC)
Frequency	50...60 Hz

### General data

Standards	EN 61558-1, EN 61558-2-4, EN 62041 category 0
Test isolation voltage	4 kV (prim./sec.)
Mounting method	Long-hole mounting or DIN-rail mountable TH35 (EN 60715)
Dimensions H × W × D	101×96×106 mm
Fixing centers a × b × c	86.5×84×4.8 mm
Drill hole Ø	4.8×8.4 mm
Temperature range	-20...+40 °C, no condensation

### Output

Output voltage	1 × 230, 1 × 115, 2 × 115 V AC
----------------	--------------------------------

### Commercial data

country of origin	CZ
customs tariff number	85043180
minimum order quantity	1