

MST 1-PHASE CONTROL AND ISOLATION TRANSFORMER

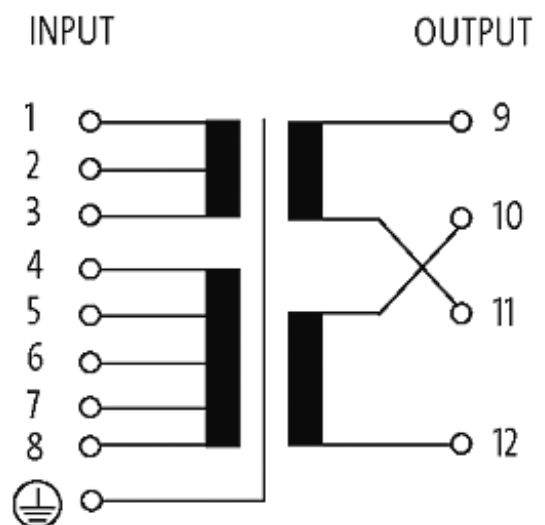
P: 320VA IN: 208...550VAC OUT: 2x115VAC

Single-phase - Control and Isolation Transformers
320 VA
Isolation class T 40/B

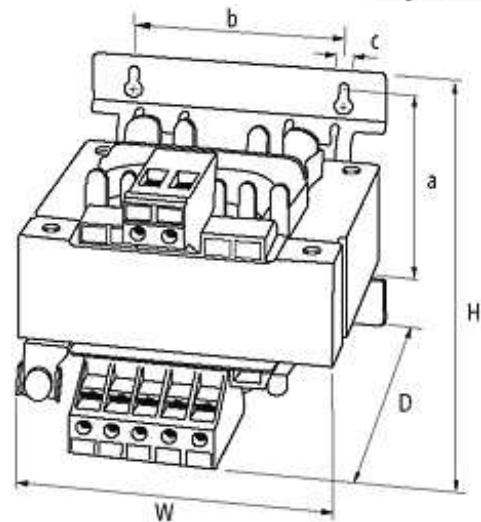
Other voltages on request.

[Link to Product](#)

Illustration



stay connected



Product may differ from Image

Approvals



Input

| | |
|-----------------------|--|
| Input voltage | 208, 230, 380, 400, 420, 440, 460, 480, 500, 525, 550 V AC |
| Input current | 1.73 A (208 V AC); 0.65 A (550 V AC) |
| Inrush current | 32 A (208 V AC); 12 A (550 V AC) |
| Short-circuit current | 32 A (208 V AC); 12 A (550 V AC) |
| Frequency | 50...60 Hz |

General data

| | |
|--------------------------|---|
| Standards | EN 61558-1, EN 61558-2-4, EN 62041 category 0 |
| Test isolation voltage | 4 kV (prim./sec.) |
| Mounting method | Key-hole mounting |
| Dimensions H × W × D | 115×135×132 mm |
| Fixing centers a × b × c | 87×104 mm |
| Drill hole Ø | 5.8×10 mm |
| Temperature range | -20...+40 °C, no condensation |

Output

| | |
|----------------|--------------------------------|
| Output voltage | 1 × 230, 1 × 115, 2 × 115 V AC |
|----------------|--------------------------------|

Commercial data

| | |
|------------------------|----------|
| country of origin | CZ |
| customs tariff number | 85043180 |
| minimum order quantity | 1 |