

## MST 1-PHASE CONTROL AND ISOLATION TRANSFORMER

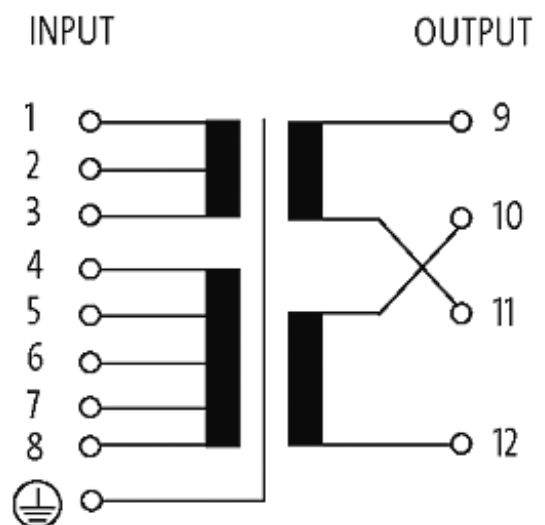
P: 500VA IN: 208...550VAC OUT: 2x115VAC

Single-phase - Control and Isolation Transformers  
500 VA  
Isolation class T 40/B

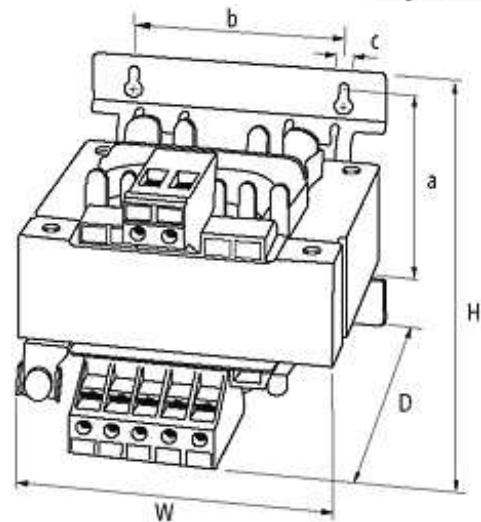
Other voltages on request.

### [Link to Product](#)

#### Illustration



stay connected



Product may differ from Image

### Approvals



### Input

Input voltage	208, 230, 380, 400, 420, 440, 460, 480, 500, 525, 550 V AC
Input current	2.76 A (208 V AC); 1.1 A (550 V AC)
Inrush current	81 A (208 V AC); 31 A (550 V AC)
Short-circuit current	68 A (208 V AC); 26 A (550 V AC)
Frequency	50...60 Hz

### General data

Standards	EN 61558-1, EN 61558-2-4, EN 62041 category 0
Test isolation voltage	4 kV (prim./sec.)
Mounting method	Key-hole mounting
Dimensions H × W × D	138×135×135 mm
Fixing centers a × b × c	117×104×5.8 mm
Drill hole Ø	5.8×10 mm
Temperature range	-20...+40 °C, no condensation

### Output

Output voltage	1 × 230, 1 × 115, 2 × 115 V AC
----------------	--------------------------------

### Commercial data

country of origin	CZ
customs tariff number	85043180
minimum order quantity	1