

## MST 1-PHASE CONTROL AND ISOLATION TRANSFORMER

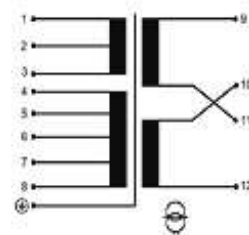
P: 630VA IN: 208...550VAC OUT: 2x115VAC

Single-phase - Control and Isolation Transformers  
630 VA  
Isolation class T 40/B

Other voltages on request.

### [Link to Product](#)

#### Illustration

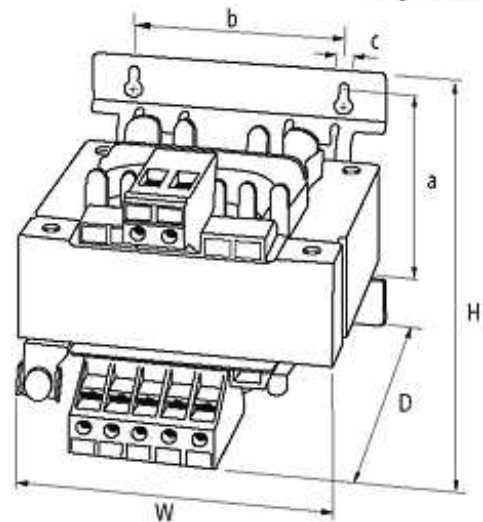


Pri. und Sec. Anschluß: /  
Pri. and Sec. connection

Eingang [V] Input	Klemme / Clamps	Brücke / Bridge	I <sub>1</sub>
208	1-2	3+4 / 3+7	3,3 A
230V	1-2	1+4 / 3+7	3,0 A
380	1-6	1-5	1,8 A
380	1-6	2+8	1,7 A
440	1-6	1-5	1,6 A
440	1-6	2+8	1,6 A
480	1-7	2+8	1,5 A
480	1-7	1-5	1,5 A
550	1-7	1-8	1,4 A
550	1-7	2+8	1,4 A
2x 115	8-11	10-12	2,8 A
115	8-12	9+10/11-12	5,5 A
230V	8-12	10+11	2,8 A

Nennleistung / delivered

stay connected



Product may differ from Image

### Approvals



### Input

Input voltage	208, 230, 380, 400, 420, 440, 460, 480, 500, 525, 550 V AC
Input current	0.84 A (230 V AC); 0.42 A (460 V AC)
Inrush current	12 A (230 V AC)
Short-circuit current	15.6 A (230 V AC)
Frequency	50...60 Hz

### General data

Standards	EN 61558-1, EN 61558-2-4, EN 62041 category 0
Test isolation voltage	4 kV (prim./sec.)
Mounting method	Long-hole mounting or DIN-rail mountable TH35 (EN 60715)
Dimensions H × W × D	129.4×150×150 mm
Fixing centers a × b × c	107.5×122 mm
Drill hole Ø	4.8×8.4 mm
Temperature range	-20...+40 °C, no condensation

### Output

Output voltage	1 × 230, 1 × 115, 2 × 115 V AC
----------------	--------------------------------

### Commercial data

country of origin	CZ
customs tariff number	85043180
minimum order quantity	1