

MST 1-PHASE CONTROL AND ISOLATION TRANSFORMER

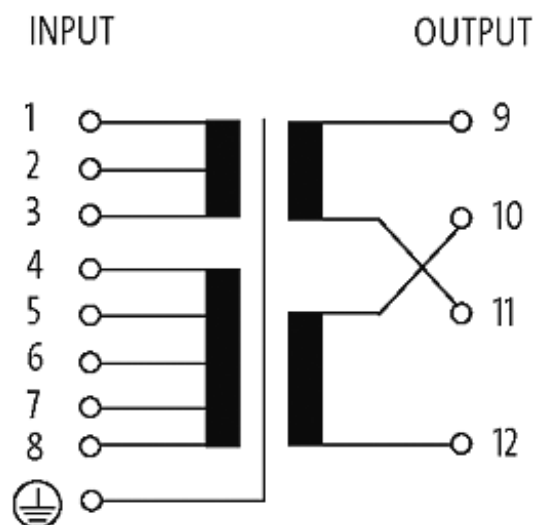
P: 2500VA IN: 208...550VAC OUT: 2x115VAC

Single-phase - Control and Isolation Transformers
2500 VA
Isolation class T 40/B

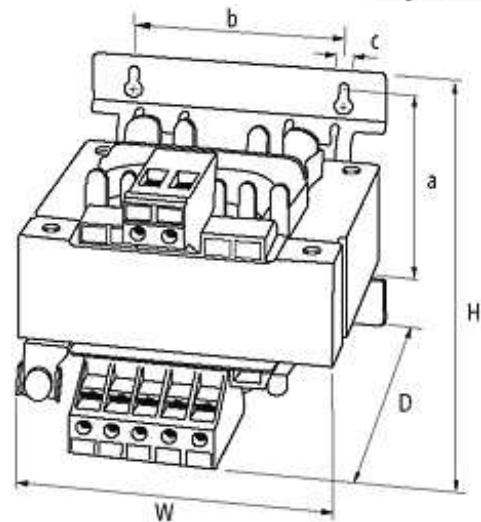
Other voltages on request.

[Link to Product](#)

Illustration



stay connected



Product may differ from Image

Approvals



Input

Input voltage	208, 230, 380, 400, 420, 440, 460, 480, 500, 525, 550 V AC
Input current	12.5 A (208 V AC); 4.72 A (550 V AC)
Inrush current	363 A (208 V AC); 137 A (550 V AC)
Short-circuit current	670 A (208 V AC); 254 A (550 V AC)
Frequency	50...60 Hz

General data

Standards	EN 61558-1, EN 61558-2-4, EN 62041 category 0
Test isolation voltage	4 kV (prim./sec.)
Mounting method	Key-hole mounting
Dimensions H × W × D	200×195×217 mm
Fixing centers a × b × c	130×150×10 mm
Drill hole Ø	18×10 mm
Temperature range	-20...+40 °C, no condensation

Output

Output voltage	1 × 230, 1 × 115, 2 × 115 V AC
----------------	--------------------------------

Commercial data

country of origin	CZ
customs tariff number	85043200
minimum order quantity	1