

## MST 1-PHASE CONTROL AND ISOLATION TRANSFORMER

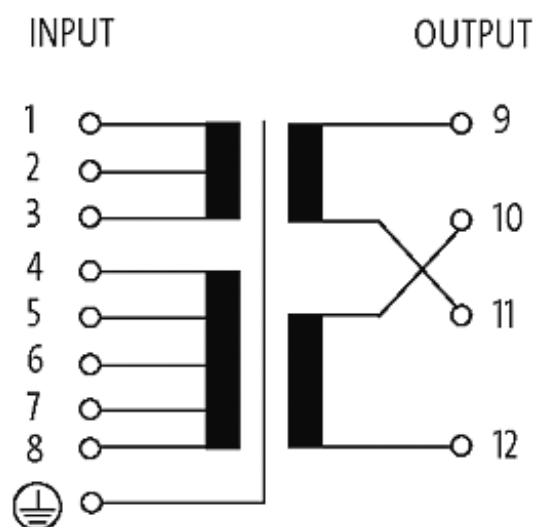
P: 6300VA IN: 208...550VAC OUT: 2x115VAC

Single-phase - Control and Isolation Transformers  
6300 VA  
Isolation class T 40/B

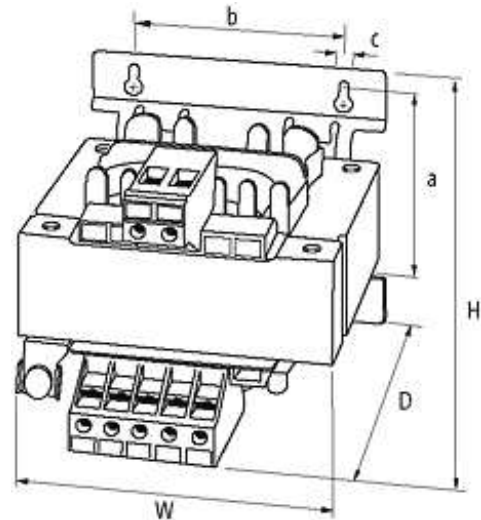
Other voltages on request.

### [Link to Product](#)

#### Illustration



stay connected



Product may differ from Image

### Input

|                       |  |
|-----------------------|--|
| Input voltage         | 208, 230, 380, 400, 420, 440, 460, 480, 500, 525, 550 V AC |
| Input current         | 31 A (208 V AC); 11.7 A (550 V AC)                         |
| Inrush current        | 585 A (208 V AC); 220 A (550 V AC)                         |
| Short-circuit current | 1433 A (208 V AC); 542 A (550 V AC)                        |
| Frequency             | 50...60 Hz   |

### General data

|                          |   |
|--------------------------|---|
| Standards                | EN 61558-2-4, EN 62041 category 0               |
| Test isolation voltage   | 6.3 kV (prim./sec.)                             |
| Mounting method          | Key-hole mounting                               |
| Dimensions H x W x D     | 168x240x360 mm                                  |
| Fixing centers a x b x c | 140x144x9 mm                                    |
| Drill hole Ø             | 10x18 mm  |
| Temperature range        | -20...+40 °C (storage temperature -20...+80 °C) |

### Output

|                |                                |
|----------------|--------------------------------|
| Output voltage | 1 x 230, 1 x 115, 2 x 115 V AC |
|----------------|--------------------------------|

### Commercial data

|                        |          |
|------------------------|----------|
| country of origin      | CZ       |
| customs tariff number  | 85043200 |
| minimum order quantity | 1        |