

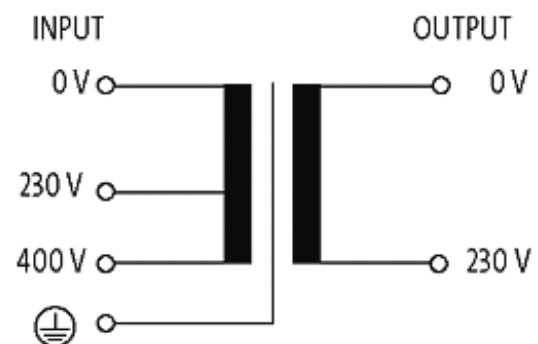
MST 1-PHASE CONTROL AND ISOLATION TRANSFORMER

P: 320VA IN: 230/400VAC OUT: 230VAC

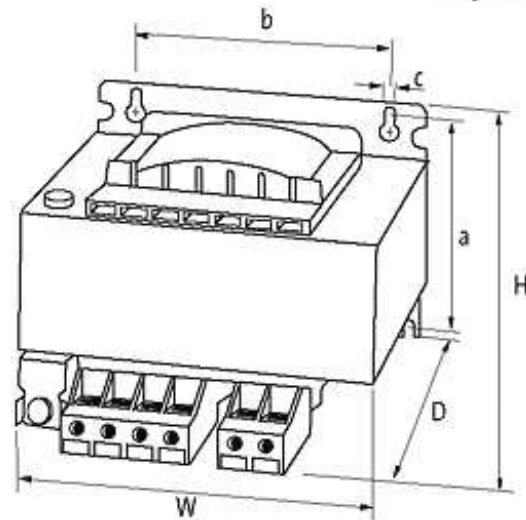
Single-phase - Control and Isolation Transformers
320 VA
Isolation class T 40/B

[Link to Product](#)

Illustration



stay connected



Product may differ from Image

Approvals



Input

Input voltage	230/400 V AC
Frequency	50...60 Hz
Input current	1.52 A (230 V AC); 0.88 A (400 V AC)
Inrush current	17.5 A (230 V AC); 10.1 A (400 V AC)
Short-circuit current	28 A (230 V AC); 16.1 A (400 V AC)

General data

Test isolation voltage	4 kV (prim./sec.)
Mounting method	Key-hole mounting
Temperature range	-20...+40 °C, no condensation
Dimensions H × W × D	92×120×122.4 mm
Fixing centers a × b × c	74.4×90×5.8 mm
Drill hole Ø	5.8×10 mm

Output

Output voltage	230 V AC
----------------	----------

Commercial data

country of origin	CZ
customs tariff number	85043180
minimum order quantity	1