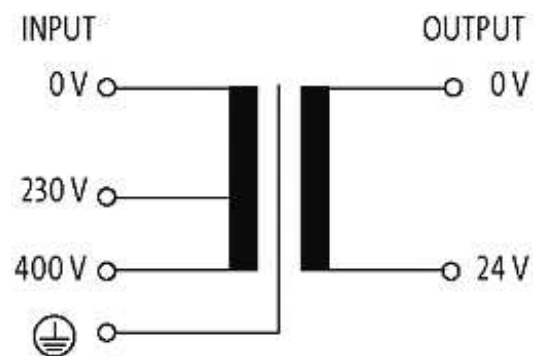


MST 1-PHASE SAFETY TRANSFORMER

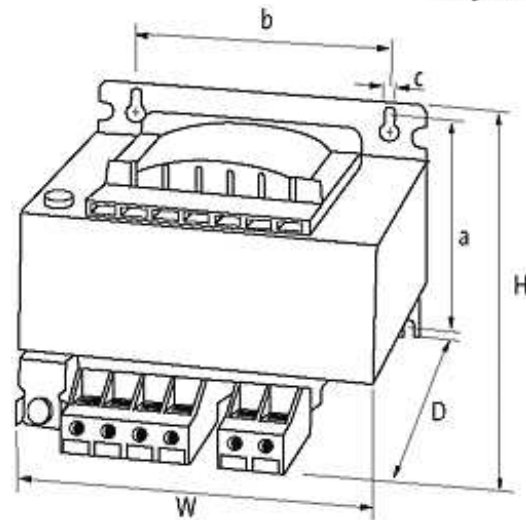
P: 630VA IN: 230/400VAC OUT: 24VAC

Single-phase safety transformer
630 VA
Isolation class T 40/B

Other voltages on request.

[Link to Product](#)**Illustration**

stay connected



Product may differ from Image

Approvals



Input

Input voltage	230/400 V AC
Frequency	50...60 Hz
Input current	2.95 A (230 V AC); 1.7 A (400 V AC)
Inrush current	37 A (230 V AC); 21 A (400 V AC)
Short-circuit current	77 A (230 V AC); 44 A (400 V AC)

General data

Standards	EN 61558-1, EN 61558-2-6, EN 62041 category 0
Test isolation voltage	4 kV (prim./sec.)
Mounting method	Key-hole mounting
Temperature range	-20...+40 °C, no condensation
Dimensions H × W × D	112.5×150×144.6 mm
Fixing centers a × b × c	90.6×122×7 mm
Drill hole Ø	7×11 mm

Output

Output voltage	24 V AC (SELV)
----------------	----------------

Commercial data

country of origin	CZ
customs tariff number	85043180
minimum order quantity	1