

MTS 1-PHASE SAFETY TRANSFORMER

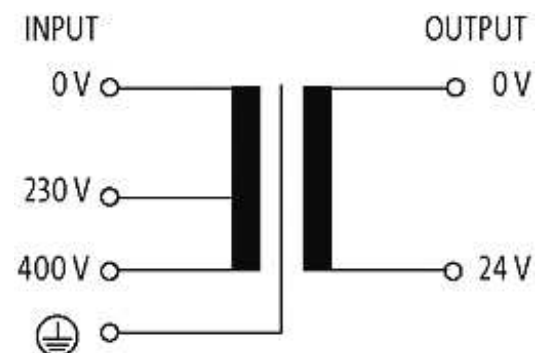
P: 40VA IN: 230/400VAC OUT: 24VAC

Single-phase safety transformer
40 VA
Isolation class T 40/B

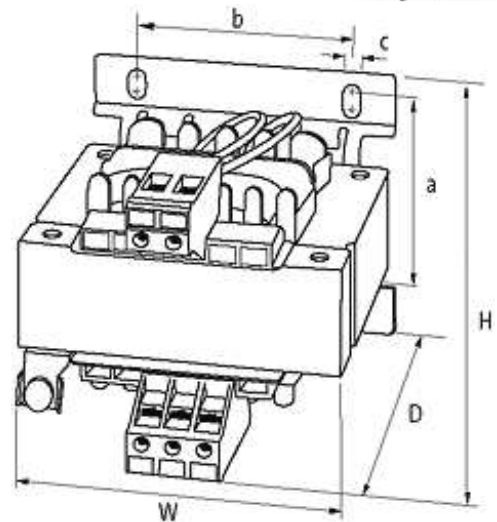
Other voltages on request.

[Link to Product](#)

Illustration



stay connected



Product may differ from Image

Approvals



Input

Input voltage	230/400 V AC
Input current	0.24 A (230 V AC); 0.14 A (400 V AC)
Inrush current	1.61 A (230 V AC); 0.94 A (400 V AC)
Short-circuit current	1.83 A (230 V AC); 1.02 A (400 V AC)
Frequency	50...60 Hz

General data

Test isolation voltage	4 kV (prim./sec.)
Standards	EN 61558-1, EN 61558-2-6, EN 62041 category 0
Drill hole \varnothing	4.8x8.4 mm
Mounting method	Long-hole mounting or DIN-rail mountable TH35 (EN 60715)
Fixing centers a x b x c	56x56x4.8 mm
Dimensions H x W x D	79x78x93 mm
Temperature range	-20...+40 °C, no condensation

Output

Output voltage	24 V AC (SELV)
----------------	----------------

Commercial data

country of origin	CZ
customs tariff number	85043180
minimum order quantity	1