

MTS 1-PHASE SAFETY TRANSFORMER

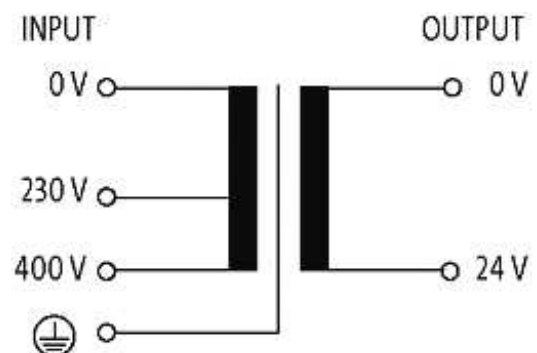
P: 160VA IN: 230/400VAC OUT: 24VAC

Single-phase safety transformer
160 VA
Isolation class T 40/B

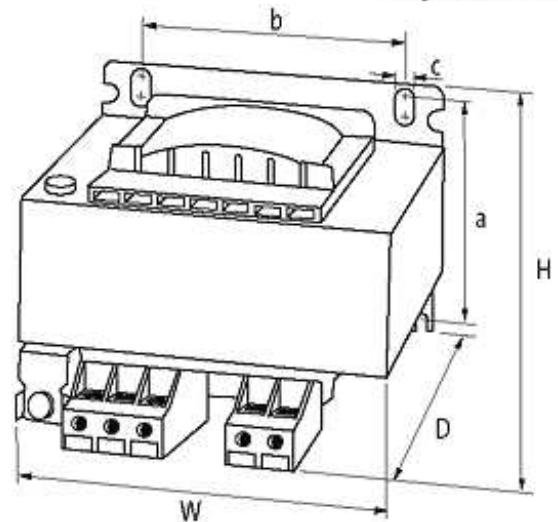
Other voltages on request.

[Link to Product](#)

Illustration



stay connected



Product may differ from Image

Approvals



Input

| | |
|-----------------------|--------------------------------------|
| Input voltage | 230/400 V AC |
| Frequency | 50...60 Hz |
| Input current | 0.82 A (230 V AC); 0.47 A (400 V AC) |
| Inrush current | 6.1 A (230 V AC); 3.5 A (400 V AC) |
| Short-circuit current | 9.5 A (230 V AC); 5.5 A (400 V AC) |

General data

| | |
|--------------------------|--|
| Standards | EN 61558-1, EN 61558-2-6, EN 62041 category 0 |
| Test isolation voltage | 4 kV (prim./sec.) |
| Mounting method | Long-hole mounting or DIN-rail mountable TH35 (EN 60715) |
| Temperature range | -20...+40 °C, no condensation |
| Dimensions H x W x D | 101x96x106 mm |
| Fixing centers a x b x c | 86.5x84x4.8 mm |
| Drill hole Ø | 4.8x8.4 mm |

Output

| | |
|----------------|----------------|
| Output voltage | 24 V AC (SELV) |
|----------------|----------------|

Commercial data

| | |
|------------------------|----------|
| country of origin | CZ |
| customs tariff number | 85043180 |
| minimum order quantity | 1 |