

## MTS 1-PHASE SAFETY TRANSFORMER

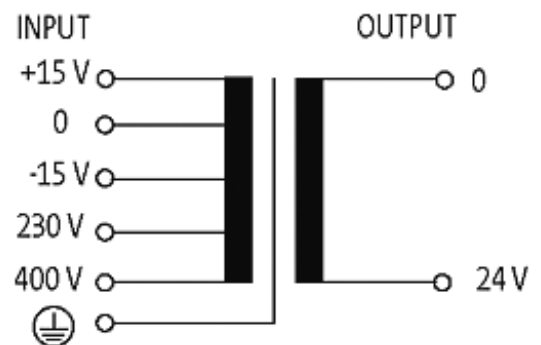
P: 160VA IN: 230/400VAC +/- 15VAC OUT: 24VAC

Single-phase safety transformer  
160 VA  
Isolation class T 40/B

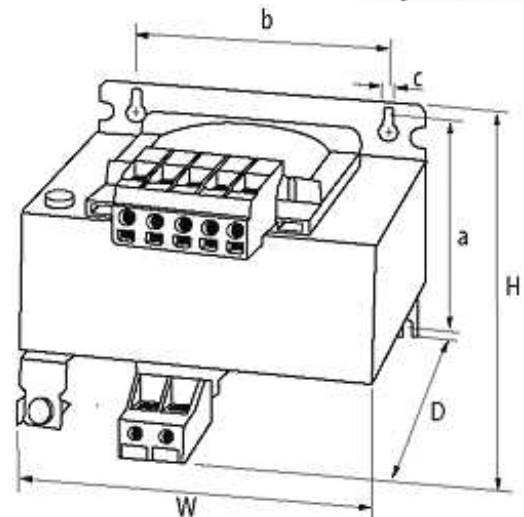
Other voltages on request.

### [Link to Product](#)

#### Illustration



stay connected



Product may differ from Image

### Approvals



### Input

|                       |                                      |
|-----------------------|--------------------------------------|
| Input voltage         | 230/400 ±15 V AC                     |
| Frequency             | 50...60 Hz                           |
| Input current         | 0.82 A (230 V AC); 0.47 A (400 V AC) |
| Inrush current        | 6.1 A (230 V AC); 3.5 A (400 V AC)   |
| Short-circuit current | 9.5 A (230 V AC); 5.5 A (400 V AC)   |

### General data

|                          |  |
|--------------------------|--|
| Standards                | EN 61558-1, EN 61558-2-6, EN 62041 category 0            |
| Test isolation voltage   | 4 kV (prim./sec.)  |
| Mounting method          | Long-hole mounting or DIN-rail mountable TH35 (EN 60715) |
| Temperature range        | -20...+40 °C, no condensation                            |
| Dimensions H × W × D     | 101×96×106 mm  |
| Fixing centers a × b × c | 86.5×84×4.8 mm   |
| Drill hole Ø             | 4.8×8.4 mm   |

### Output

|                |                |
|----------------|----------------|
| Output voltage | 24 V AC (SELV) |
|----------------|----------------|

### Commercial data

|                        |          |
|------------------------|----------|
| country of origin      | CZ       |
| customs tariff number  | 85043180 |
| minimum order quantity | 1        |