

## MST 1-PHASE CONTROL AND ISOLATION TRANSFORMER

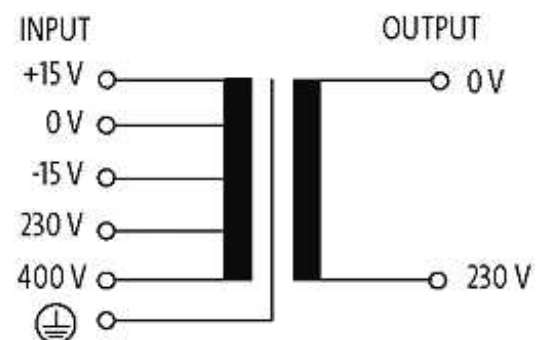
P: 500VA IN: 230/400 +/- 15VAC OUT: 230VAC

Single-phase - Control and Isolation Transformers  
500 VA  
Isolation class T 40/B

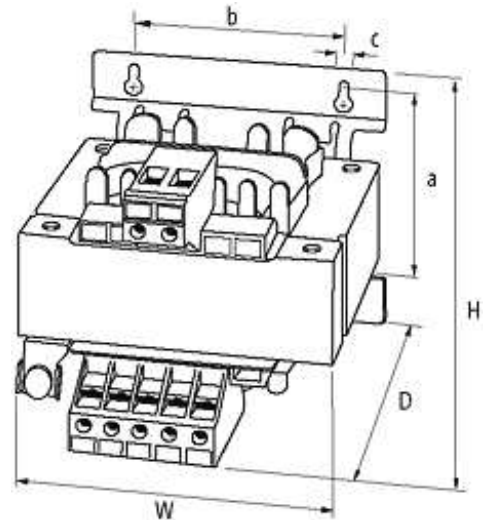
Other voltages on request.

### [Link to Product](#)

#### Illustration



stay connected



Product may differ from Image

### Input

Input voltage	230/400 ±15 V AC
Input current	2.4 A (230 V AC); 1.4 A (400 V AC)
Inrush current	25 A (230 V AC); 15 A (400 V AC)
Short-circuit current	52 A (230 V AC); 30 A (400 V AC)
Frequency	50...60 Hz

### General data

Standards	EN 61558-2-4, EN 62041 category 0
Test isolation voltage	5.8 kV (prim./sec.)
Mounting method	Key-hole mounting
Dimensions H × W × D	108×135×132 mm
Fixing centers a × b × c	87×104×5.8 mm
Temperature range	-20...+40 °C (storage temperature -40...+80 °C)

### Output

Output voltage	230 V AC
----------------	----------

### Commercial data

country of origin	CZ
customs tariff number	85043180
minimum order quantity	1