

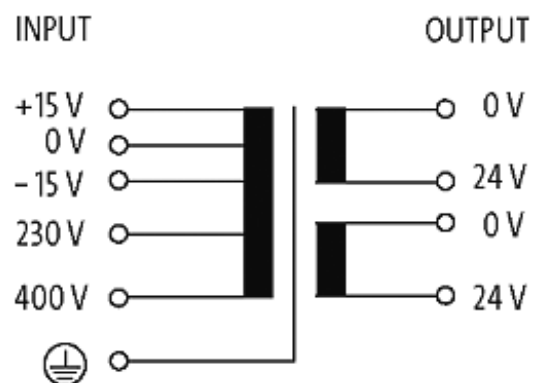
## MST 1-PHASE SAFETY TRANSFORMER

P: 1000VA IN: 230/400VAC +-15VAC OUT: 2x24VAC

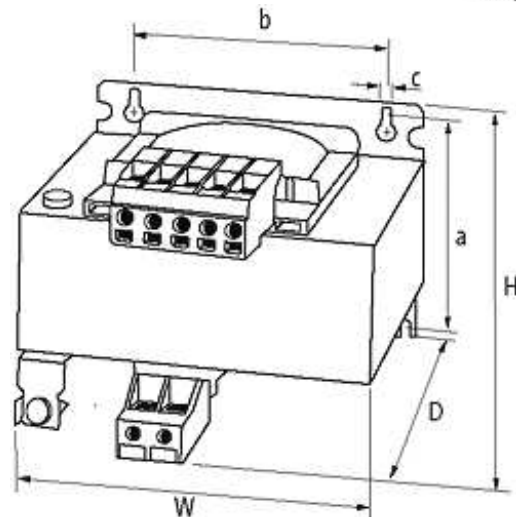
Single-phase safety transformer  
1000 VA  
Isolation class T 40/B

### [Link to Product](#)

#### Illustration



stay connected



Product may differ from Image

### Approvals



### Input

Input voltage	230/400 ±15 V AC
Input current	4.6 A (230 V AC); 2.6 A (400 V AC)
Inrush current	83 A (230 V AC); 42 A (400 V AC)
Short-circuit current	147 A (230 V AC); 86 A (400 V AC)
Frequency	50...60 Hz

### General data

Standards	EN 61558-1, EN 61558-2-4, EN 62041 category 0
Test isolation voltage	5.8 kV (prim./sec.)
Mounting method	Key-hole mounting
Fixing centers a × b × c	134×122×7 mm
Dimensions H × W × D	156×150×197 mm
Drill hole Ø	7×11 mm
Temperature range	-20...+40 °C, no condensation

### Output

Output voltage	1 × 24, 1 × 48, 2 × 24 V AC
----------------	-----------------------------

### Commercial data

country of origin	CZ
customs tariff number	85043180
minimum order quantity	1