

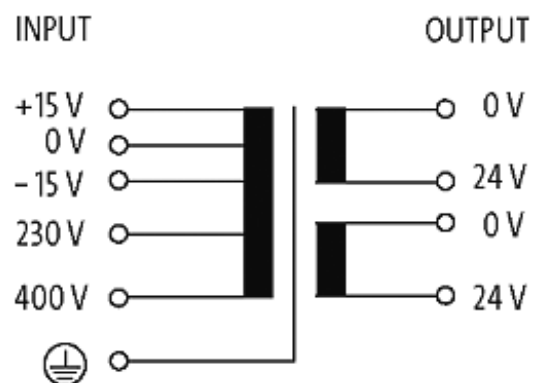
## MST 1-PHASE SAFETY TRANSFORMER

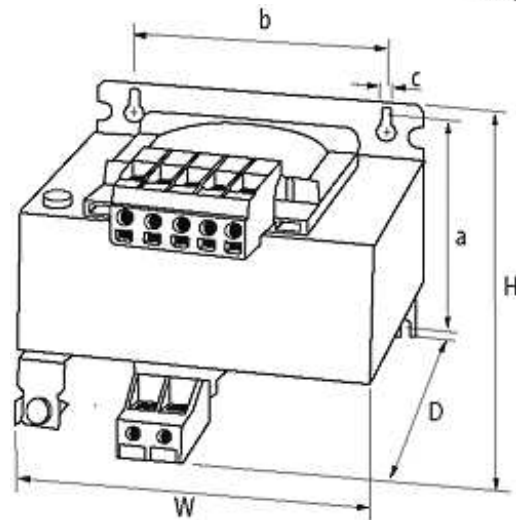
P: 1600VA IN: 230/400VAC+-15VAC OUT:2x24VAC

Single-phase safety transformer  
1600 VA  
Isolation class T 40/B

### [Link to Product](#)

#### Illustration





Product may differ from Image

### Approvals



### Input

Input voltage	230/400 ±15 V AC
Input current	7.3 A (230 V AC); 4.2 A (400 V AC)
Inrush current	135 A (230 V AC); 69 A (400 V AC)
Short-circuit current	275 A (230 V AC); 163 A (400 V AC)
Frequency	50...60 Hz

### General data

Standards	EN 61558-1, EN 61558-2-4, EN 62041 category 0
Test isolation voltage	5.8 kV (prim./sec.)
Mounting method	Key-hole mounting
Dimensions H × W × D	168×174×222 mm
Fixing centers a × b × c	141.5×135×7 mm
Drill hole Ø	7×11 mm
Temperature range	-20...+40 °C, no condensation

### Output

Output voltage	1 × 24, 1 × 48, 2 × 24 V AC
----------------	-----------------------------

### Commercial data

country of origin	CZ
customs tariff number	85043200
minimum order quantity	1