

PICCO 24V/1,25A (30W) - POWER SUPPLY / 1-PHASE

In: 110-230VAC / OUT: 24 - 28VDC/1,25A

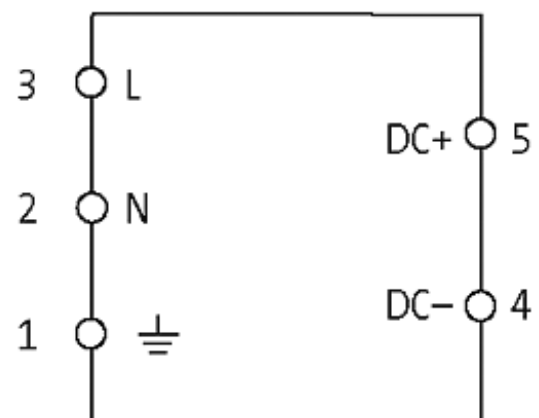
INPUT: 100...240 V AC; 120...370 V DC

OUTPUT: 24 V DC \pm 1%

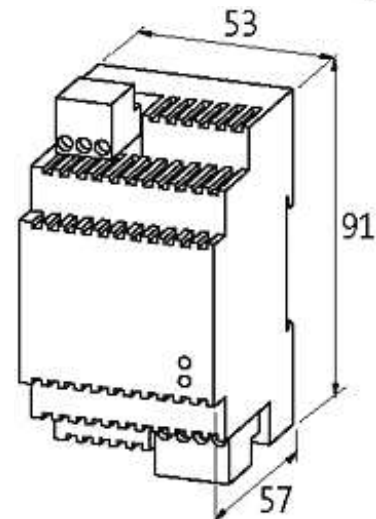
Current 1.25 A

Screw terminal: 0.14...1.5 mm²[Link to Product](#)

Illustration



stay connected



Product may differ from Image

Approvals



Input

| | |
|---------------------------|------------------------------------|
| Input voltage | 100...240 V AC/120...370 V DC |
| Input current | 0.6 A (115 V AC); 0.4 A (230 V AC) |
| Inrush current after 1 ms | max. 40 A |
| Primary fusing external | max. 10 A |
| Frequency | 50...60 Hz |

General data

| | |
|-------------------|-------------------------------------------------------------------|
| Standards | EN 60950-1, EN 61204-3, EN 55022 B, EN 61000-3-2 |
| Relative humidity | 20...90 %, no condensation |
| Efficiency | 86 % (110 V AC); 88 % (230 V AC) |
| Mounting method | DIN-rail mountable TH35 (EN 60715) |
| Temperature range | 0...+50 °C, ...+60 °C derating (storage temperature -25...+85 °C) |

Output

| | |
|-----------------------------|-------------------------------------------------|
| Output voltage | 24 V DC (SELV), ± 1 %; 24...28 V adjustable |
| Output current | 1.25 A (+50 °C); 0.125 A (+70 °C) |
| Mains failure bridging time | 10...25 ms (115 V AC) |
| Ripple | max. 20 mVrms |
| Unit protection | short-circuit and overload protected |
| Spikes | max. 100 mV p-p |
| LED display | LED (green) for output voltage |
| Parallel usage/serial usage | max. 5 units/max. 2 units |

Commercial data

The information in this brochure has been compiled with the utmost care.

Liability for the correctness completeness and topicality of the information is restricted to gross negligence. Version: 05/16

Murrelektronik GmbH | Falkenstraße 3, 71570 Oppenweiler | Fon +49 (71 91) 47-0, Fax +49 (71 91) 47-491000 | shop@murrelektronik.com | shop.murrelektronik.com

| | |
|------------------------|----------|
| country of origin | CN |
| customs tariff number | 85044090 |
| minimum order quantity | 1 |