

PICCO 12V/4,5A (54W) - POWER SUPPLY / 1-PHASE

In: 110-230VAC / OUT: 12 - 15VDC/4,5A

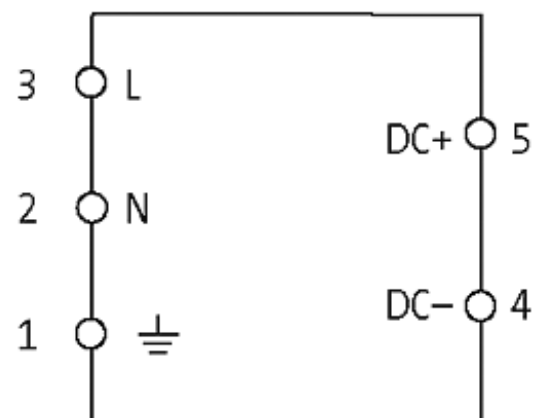
INPUT: 100...240 V AC; 120...370 V DC

OUTPUT: 12 V DC \pm 1%

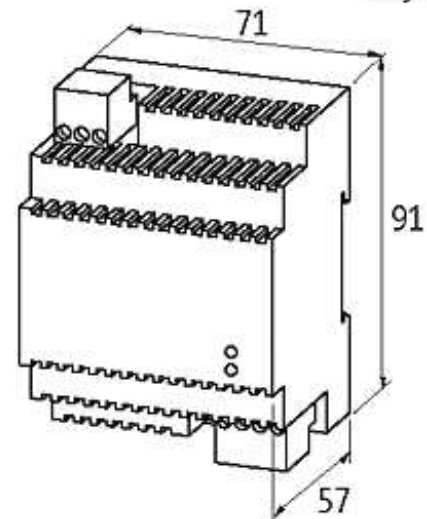
Current: 4.5 A

Screw terminal: 0.14...1.5 mm²[Link to Product](#)

Illustration



stay connected



Product may differ from Image

Approvals



Input

Input voltage	100...240 V AC/120...370 V DC
Input current	1 A (115 V AC); 0.58 A (230 V AC)
Inrush current after 1 ms	max. 60 A
Primary fusing external	max. 16 A
Frequency	50...60 Hz

General data

Standards	EN 60950-1, EN 61204-3, EN 55022 B, EN 61000-3-2
Relative humidity	20...90 %, no condensation
Efficiency	86 % (110 V AC); 88 % (230 V AC)
Mounting method	DIN-rail mountable TH35 (EN 60715)
Temperature range	0...+50 °C, ...+60 °C derating (storage temperature -25...+85 °C)

Output

Output voltage	12 V DC (SELV), ± 1 %; 12...15 V adjustable
Output current	4.5 A (+50 °C); 0.45 A (+70 °C)
Mains failure bridging time	10...25 ms (115 V AC)
Ripple	max. 20 mVrms
Unit protection	short-circuit and overload protected
Spikes	max. 100 mV p-p
LED display	LED (green) for output voltage
Parallel usage/serial usage	max. 5 units/max. 2 units

Commercial data

The information in this brochure has been compiled with the utmost care.

Liability for the correctness completeness and topicality of the information is restricted to gross negligence. Version: 05/16

Murrelektronik GmbH | Falkenstraße 3, 71570 Oppenweiler | Fon +49 (71 91) 47-0, Fax +49 (71 91) 47-491000 | shop@murrelektronik.com | shop.murrelektronik.com

country of origin	CN
customs tariff number	85044090
minimum order quantity	1