

**PICCO 12V/6A (72W) - POWER SUPPLY / 1-PHASE**

In: 110-230VAC / OUT: 12 - 15VDC/6A

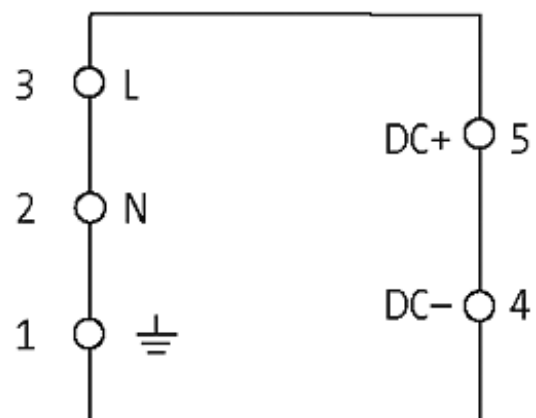
INPUT: 100...240 V AC; 120...370 V DC

OUTPUT: 12 V DC  $\pm$  1%

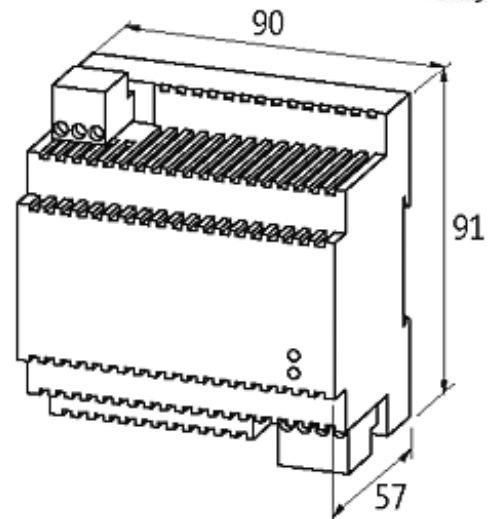
Current: 6 A

Screw terminal: 0.14...1.5 mm<sup>2</sup>[Link to Product](#)

## Illustration



stay connected



Product may differ from Image

### Approvals



### Input

Input voltage	100...240 V AC/120...370 V DC
Input current	1.3 A (115 V AC); 0.75 A (230 V AC)
Inrush current after 1 ms	max. 60 A
Primary fusing external	max. 10 A
Frequency	50...60 Hz

### General data

Standards	EN 60950-1, EN 61204-3, EN 55022 B, EN 61000-3-2
Relative humidity	20...90 %, no condensation
Efficiency	86 % (110 V AC); 88 % (230 V AC)
Mounting method	DIN-rail mountable TH35 (EN 60715)
Temperature range	0...+50 °C, ...+60 °C derating (storage temperature -25...+85 °C)

### Output

Output voltage	12 V DC (SELV), $\pm 1$ %; 12...15 V adjustable
Output current	6 A (+50 °C); 0.6 A (+70 °C)
Mains failure bridging time	10...25 ms (115 V AC)
Ripple	max. 20 mVrms
Unit protection	short-circuit and overload protected
Spikes	max. 100 mV p-p
LED display	LED (green) for output voltage
Parallel usage/serial usage	max. 5 units/max. 2 units

### Commercial data

The information in this brochure has been compiled with the utmost care.

Liability for the correctness completeness and topicality of the information is restricted to gross negligence. Version: 05/16

Murrelektronik GmbH | Falkenstraße 3, 71570 Oppenweiler | Fon +49 (71 91) 47-0, Fax +49 (71 91) 47-491000 | shop@murrelektronik.com | shop.murrelektronik.com

country of origin	CN
customs tariff number	85044090
minimum order quantity	1