

EMC SUPPRESSOR FOR MOTOR

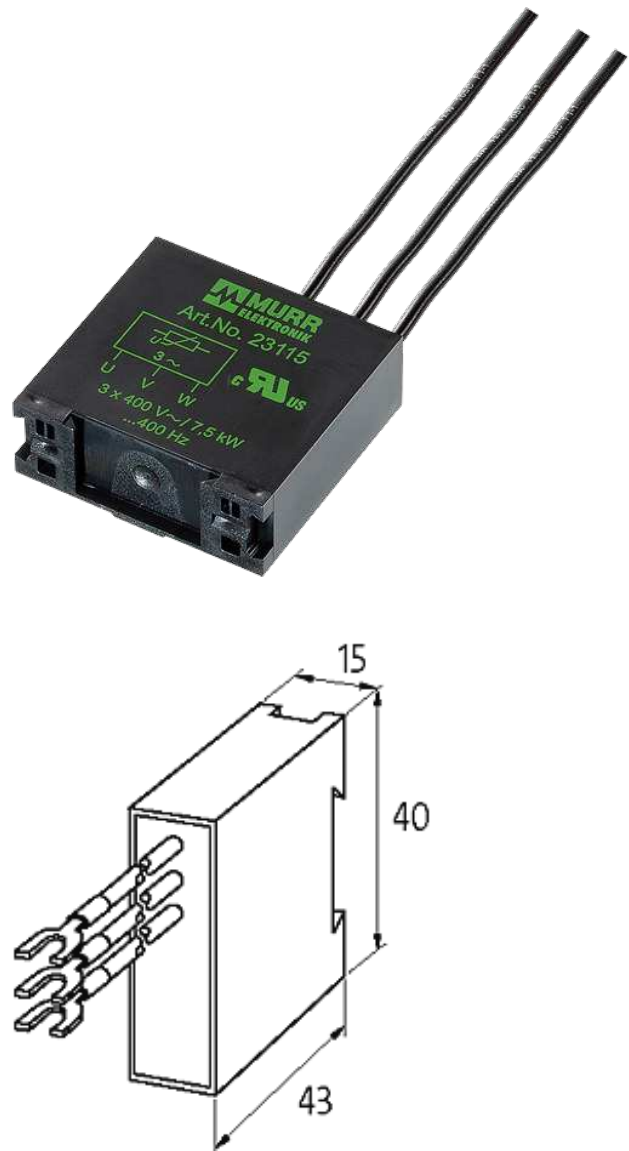
RC 3 BU/022-575VAC, star, AWG 20

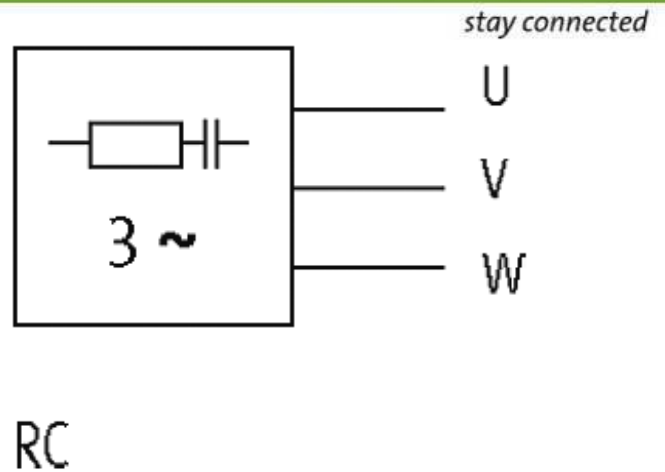
3 × 400 V AC

3 × 575 V AC

RC

For DIN-rail mounting use 1 × Art.-No. 20900 adapter feet Suppressors for other voltages, frequencies, and motor ratings available on request. Do not use RC motor suppressors with frequency inverters.

[Link to Product](#)**Illustration**



Product may differ from Image

Approvals



General data

Temperature range	-20...+60 °C
Mounting method	DIN-rail mountable TH35 (EN 60715)
Connection	approx. 70 mm, single cores 0.5 mm ² , with ferrule ends
Dimensions H × W × D	43×15×40 mm

Technical Data

Frequency	50...60 Hz
-----------	------------

Commercial data

country of origin	CZ
customs tariff number	85363010
minimum order quantity	10