

EMC SUPPRESSOR FOR MOTOR

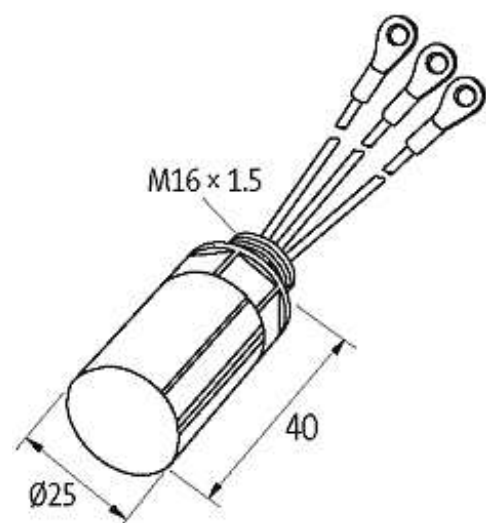
RC 3 R-575/4, M16x1,5/ AWG 20/VDR"

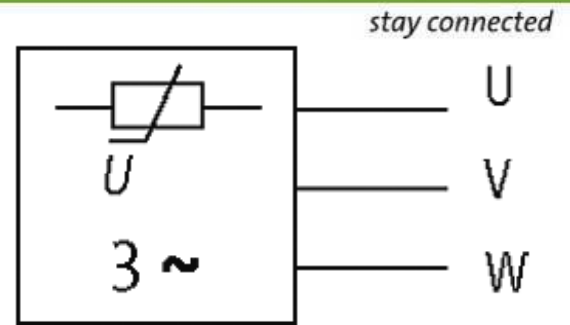
3 × 575 V AC

VDR

M16 × 1.5 mm

Suppressors for other voltages, frequencies, and motor ratings available on request. Do not use RC motor suppressors with frequency inverters.

[Link to Product](#)**Illustration**



VDR

Product may differ from Image

General data

Temperature range	-20...+60 °C
Mounting method	on motor terminal box with plug connector
Connection	approx. 130 mm, single cores 0.5 mm ² , with ring terminals M4
Dimensions H × W × D	25×25×40 mm

Technical Data

Ring terminals	isolated M4
----------------	-------------

Commercial data

country of origin	CZ
customs tariff number	85363010
minimum order quantity	10