

MET SINGLE-PHASE CONTROL AND ISOLATION TRANSFORMER

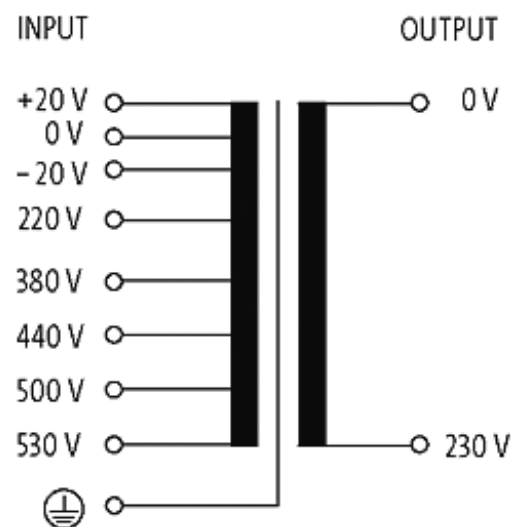
P:500VA IN:220...530VAC±20VAC OUT:230VAC

Single-phase safety transformer
500 VA
Isolation class T 60/B

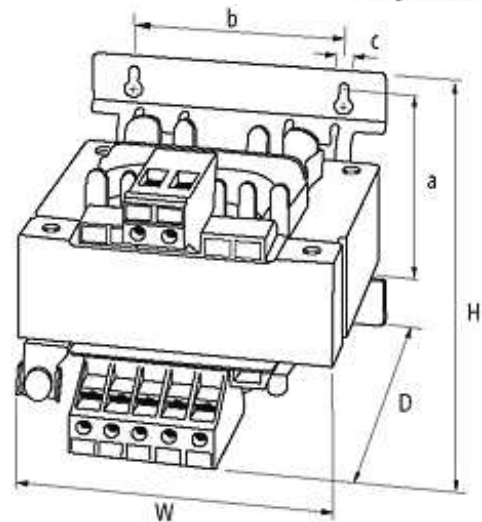
Other voltages on request.

[Link to Product](#)

Illustration



stay connected



Product may differ from Image

Approvals



Input

Input voltage	220, 380, 440, 500, 530 V AC
Input current	2.51 A (220 V AC); 1.05 A (530 V AC)
Inrush current	40 A (220 V AC)
Short-circuit current	52 A (220 V AC)
Frequency	50...60 Hz

General data

Standards	EN 61558-1, EN 61558-2-4, EN 62041 category 0
Test isolation voltage	6.3 kV (prim./sec.)
Mounting method	Key-hole mounting
Dimensions H × W × D	112×150×148 mm
Fixing centers a × b × c	91×122×7 mm
Drill hole Ø	7×15 mm
Temperature range	-20...+60 °C, no condensation

Output

Output voltage	230 V AC
----------------	----------

Commercial data

country of origin	CZ
customs tariff number	85043180
minimum order quantity	10