

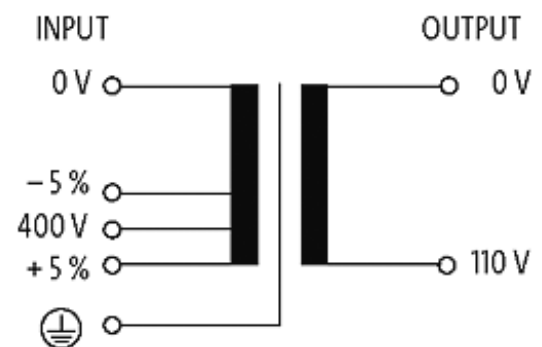
MET SINGLE-PHASE CONTROL AND ISOLATION TRANSFORMER

P:500VA IN:400VAC±5% OUT:110VAC

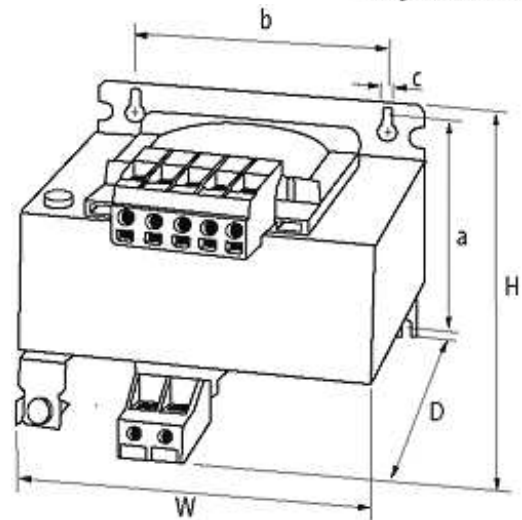
Single-phase - Control and Isolation Transformers
500 VA
Isolation class T 40/B

[Link to Product](#)

Illustration



stay connected



Product may differ from Image

Approvals



Input

Input voltage	400 V AC $\pm 5\%$
Input current	2.67 A (400 V AC)
Inrush current	23 A (400 V AC)
Short-circuit current	31 A (400 V AC)
Frequency	50...60 Hz

General data

Standards	EN 61558-1, EN 61558-2-4, EN 62041 category 0
Test isolation voltage	5.8 kV (prim./sec.)
Fixing centers a × b × c	88×122×7 mm
Dimensions H × W × D	110×150×144 mm
Drill hole \varnothing	7×11 mm
Mounting method	screw fixing
Temperature range	-20...+40 °C (storage temperature -20...+80 °C)

Output

Output voltage	110 V AC
----------------	----------

Commercial data

country of origin	CZ
customs tariff number	85043180
minimum order quantity	10