

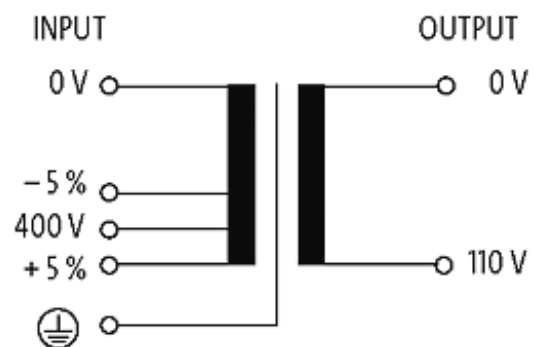
MET SINGLE-PHASE CONTROL AND ISOLATION TRANSFORMER

P:1500VA IN:400VAC±5% OUT:110VAC

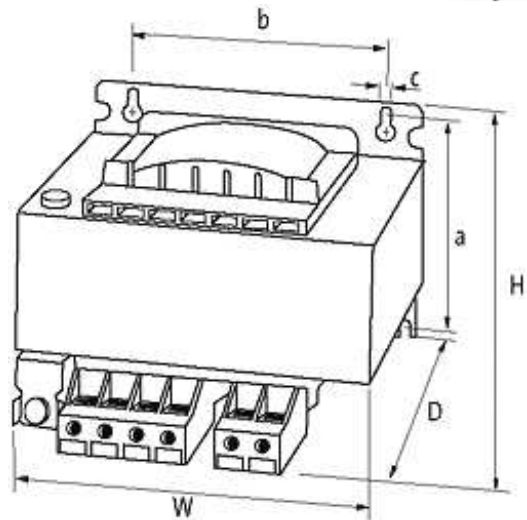
Single-phase - Control and Isolation Transformers
1500 VA
Isolation class T 60/B

[Link to Product](#)

Illustration



stay connected



Product may differ from Image

Approvals



Input

Input voltage	400 V AC $\pm 5\%$
Input current	4 A (400 V AC)
Inrush current	85 A (400 V AC)
Short-circuit current	120 A (400 V AC)
Frequency	50...60 Hz

General data

Standards	EN 61558-1, EN 61558-2-4, EN 62041 category 0
Test isolation voltage	5.8 kV (prim./sec.)
Fixing centers a × b × c	135×142×7 mm
Dimensions H × W × D	142×174×167 mm
Drill hole \varnothing	7×15 mm
Mounting method	screw fixing
Temperature range	-20...+60 °C, no condensation

Output

Output voltage	110 V AC
----------------	----------

Commercial data

country of origin	CZ
customs tariff number	85043200
minimum order quantity	10