

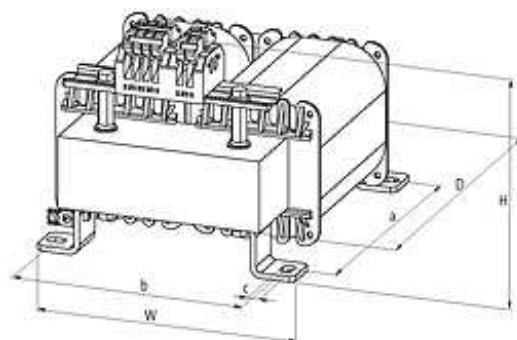
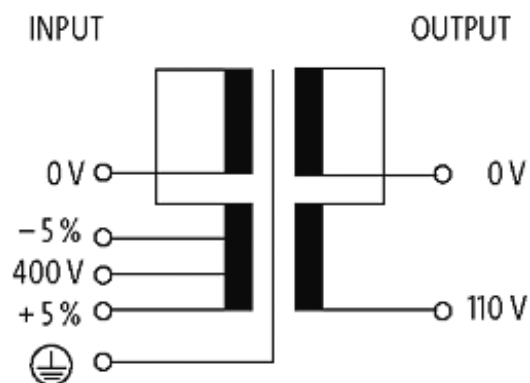
## MET SINGLE-PHASE CONTROL AND ISOLATION TRANSFORMER

P:3000VA IN:400VAC±5% OUT:110VAC

Single-phase - Control and Isolation Transformers  
3000 VA  
Isolation class T 40/B

### [Link to Product](#)

#### Illustration



Product may differ from Image

### Approvals



### Input

Input voltage	400 V AC $\pm 5\%$
Input current	7.85 A (400 V AC)
Inrush current	140 A (400 V)
Short-circuit current	374 A (400 V AC)
Frequency	50...60 Hz

### General data

Standards	EN 61558-1, EN 61558-2-4, EN 62041 category 0
Test isolation voltage	5.1 kV (prim./sec.)
Fixing centers a × b × c	200×174×9 mm
Dimensions H × W × D	168×195×250 mm
Drill hole $\varnothing$	9×14 mm
Mounting method	screw fixing
Temperature range	-20...+40 °C (storage temperature -40...+80 °C)

### Output

Output voltage	110 V AC
----------------	----------

### Commercial data

country of origin	CZ
customs tariff number	85043200
minimum order quantity	5