

## MST SINGLE-PHASE CONTROL AND ISOLATION TRANSFORMER

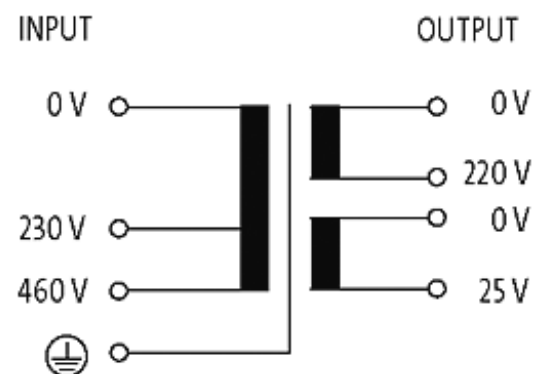
P:160VA IN:230/460VAC OUT:25/220VAC

Single-phase - Control and Isolation Transformers  
 140 VA (220 V AC)  
 20 VA (25 V AC)

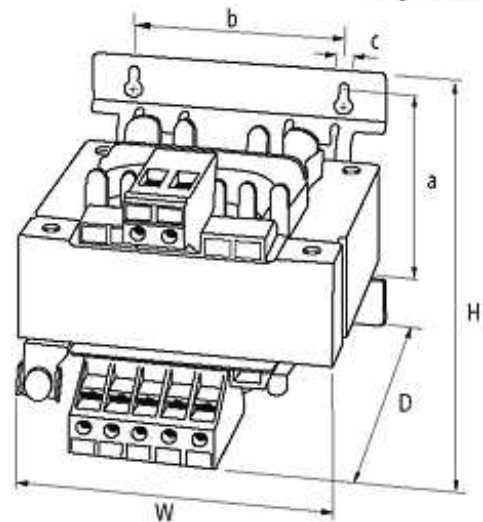
Other voltages on request.

### [Link to Product](#)

#### Illustration



stay connected



Product may differ from Image

### Input

|                       |                                      |
|-----------------------|--------------------------------------|
| Input voltage         | 230/400 ±15 V AC                     |
| Input current         | 0.84 A (230 V AC); 0.42 A (460 V AC) |
| Inrush current        | 12 A (230 V AC)                      |
| Short-circuit current | 15.6 A (230 V AC)                    |
| Frequency             | 50...60 Hz                           |

### General data

|                          |   |
|--------------------------|---|
| Standards                | EN 61558-2-4, EN 62041 category 0               |
| Test isolation voltage   | 4.8 kV  |
| Mounting method          | Key-hole mounting                               |
| Dimensions H × W × D     | 105×96×91 mm                                    |
| Fixing centers a × b × c | 75.3×84×5.8 mm                                  |
| Temperature range        | -20...+40 °C (storage temperature -40...+80 °C) |

### Output

|                |             |
|----------------|-------------|
| Output voltage | 220/25 V AC |
|----------------|-------------|

### Commercial data

|                        |          |
|------------------------|----------|
| country of origin      | CZ       |
| customs tariff number  | 85043180 |
| minimum order quantity | 25       |