

## MST SINGLE-PHASE CONTROL AND ISOLATION TRANSFORMER

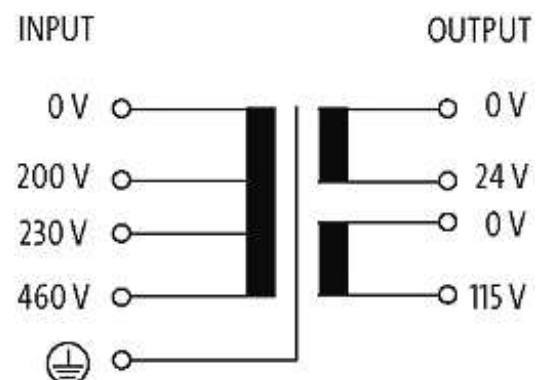
P:250VA IN:200/230/460VAC OUT:24/115VAC

Single-phase - Control and Isolation Transformers  
 20 VA (24 V AC)  
 300 VA (115 V AC)

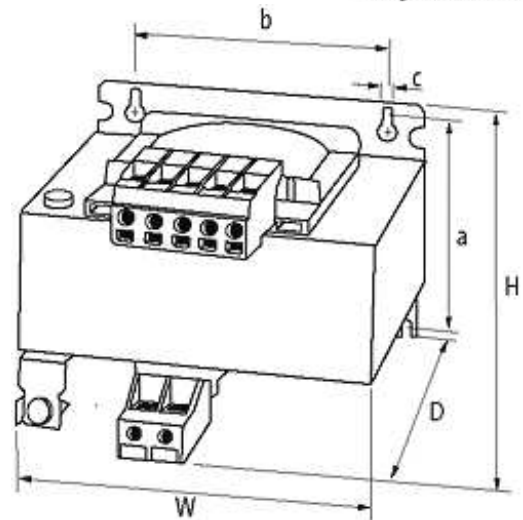
Other voltages on request.

### [Link to Product](#)

#### Illustration



stay connected



Product may differ from Image

### Input

Input voltage	200, 230, 460 V AC
Input current	1.23 A (230 V AC); 0.61 A (460 V AC)
Inrush current	18.5 A (230 V AC); 8.03 A (460 V AC)
Short-circuit current	30.1 A (230 V AC); 13.1 A (460 V AC)
Frequency	50...60 Hz

### General data

Standards	EN 61558-2-4, EN 62041 category 0
Test isolation voltage	4.8 kV
Mounting method	Key-hole mounting
Fixing centers a × b × c	75.3×84×5.8 mm
Dimensions H × W × D	105×96×91 mm
Temperature range	-20...+40 °C (storage temperature -40...+80 °C)

### Output

Output voltage	24/115 V AC
----------------	-------------

### Commercial data

country of origin	CZ
customs tariff number	85043180
minimum order quantity	10