

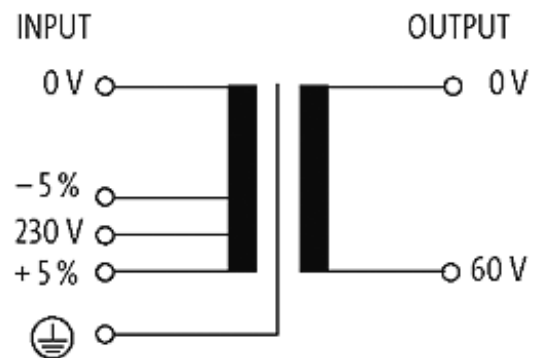
## MST SINGLE-PHASE CONTROL AND ISOLATION TRANSFORMER

P:125VA IN:230VAC±5% OUT:60VAC

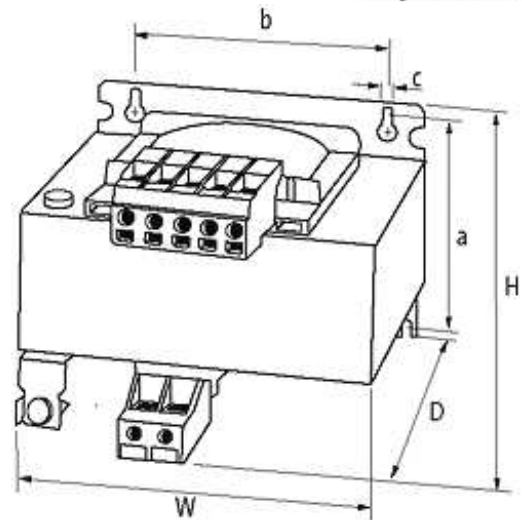
Single-phase - Control and Isolation Transformers  
125 VA  
Isolation class T 40/B

### [Link to Product](#)

#### Illustration



stay connected



Product may differ from Image

### Approvals



### Input

Input voltage	230 V AC $\pm 5\%$
Input current	0.65 A (230 V AC)
Inrush current	7.1 A (230 V AC)
Short-circuit current	9.6 A (230 V AC)
Frequency	50...60 Hz

### General data

Standards	EN 61558-1, EN 61558-2-4, EN 62041 category 0
Test isolation voltage	3.8 kV
Fixing centers a × b × c	65.3×64×4.8 mm
Dimensions H × W × D	88×84×95 mm
Drill hole $\varnothing$	4.8×12 mm
Mounting method	Key-hole mounting
Temperature range	-20...+40 °C (storage temperature -40...+80 °C)

### Output

Output voltage	60 V AC
----------------	---------

### Commercial data

country of origin	CZ
customs tariff number	85043180
minimum order quantity	10