

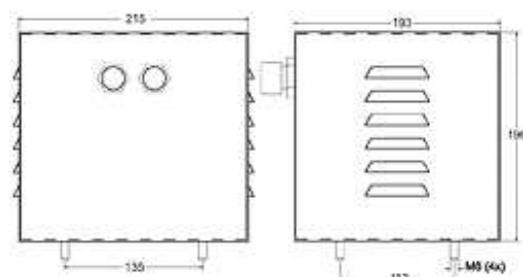
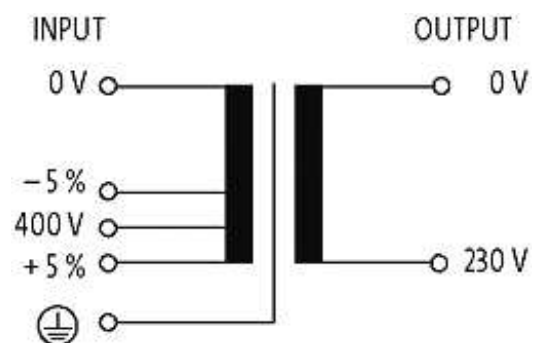
## MET SINGLE-PHASE CONTROL AND ISOLATION TRANSFORMER

P:1000VA IN:400VAC±5% OUT:230VAC

Single-phase - Control and Isolation Transformers  
1000 VA  
Isolation class T 40/B  
with housing

### [Link to Product](#)

#### Illustration



Product may differ from Image

**Input**

Input voltage	400 V AC $\pm$ 5 %
Input current	2.68 A (400 V AC)
Inrush current	37 A (400 V AC)
Short-circuit current	122 A (400 V AC)
Frequency	50...60 Hz

**General data**

Standards	EN 61558-1, EN 61558-2-4, EN 62041 category 0
Test isolation voltage	5.1 kV (prim./sec.)
Fixing centers a $\times$ b $\times$ c	112 $\times$ 135 mm
Dimensions H $\times$ W $\times$ D	193 $\times$ 215 $\times$ 196 mm
Mounting method	screw fixing
Temperature range	-20...+40 °C (storage temperature -40...+80 °C)

**Output**

Output voltage	230 V AC
----------------	----------

**Commercial data**

country of origin	CZ
customs tariff number	85043180
minimum order quantity	20