

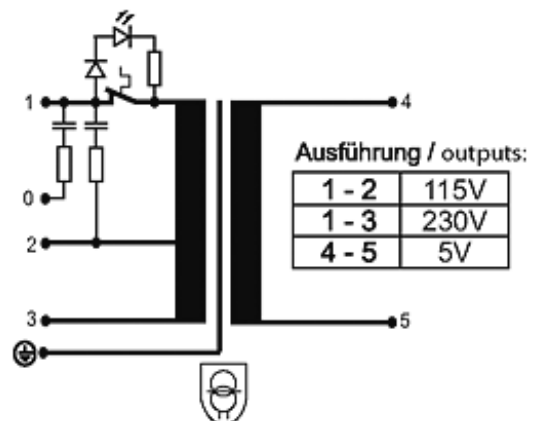
MTS SINGLE-PHASE SAFETY TRANSFORMER

P:75VA IN:115/230VAC OUT:5VAC

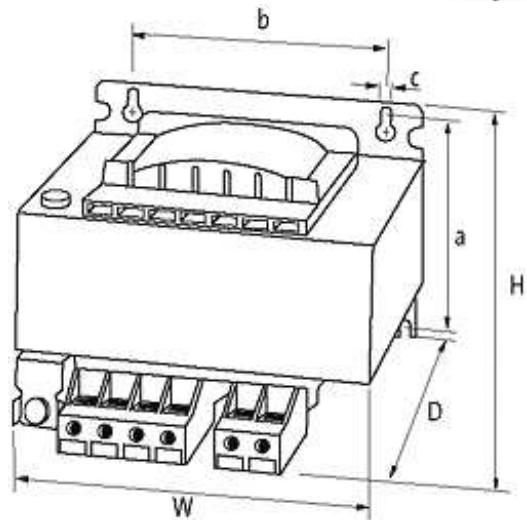
Single-phase - Control and Isolation Transformers
75 VA
Isolation class T 40/B

[Link to Product](#)

Illustration



stay connected



Product may differ from Image

Approvals



Input

| | |
|-----------------------|--------------------------------------|
| Input voltage | 115/230 V AC |
| Input current | 0.82 A (115 V AC); 0.41 A (230 V AC) |
| Inrush current | 6.2 A (115 V AC); 3.1 A (230 V AC) |
| Short-circuit current | 7.5 A (115 V AC); 3.8 A (230 V AC) |
| Frequency | 50...60 Hz |

General data

| | |
|--------------------------|---|
| Standards | EN 61558-2-6, EN 62041 category 0 |
| Test isolation voltage | 3.8 kV |
| Fixing centers a × b × c | 53×64×4.8 mm |
| Dimensions H × W × D | 74×84×95 mm |
| Mounting method | Schraubbefestigung M5, 4 Stück im Rechteck 53 × 64 mm |
| Temperature range | -20...+40 °C (storage temperature -40...+80 °C) |

Output

| | |
|----------------|--------|
| Output voltage | 5 V AC |
|----------------|--------|

Commercial data

| | |
|------------------------|----------|
| country of origin | CZ |
| customs tariff number | 85043180 |
| minimum order quantity | 10 |