

MST SINGLE-PHASE CONTROL AND ISOLATION TRANSFORMER

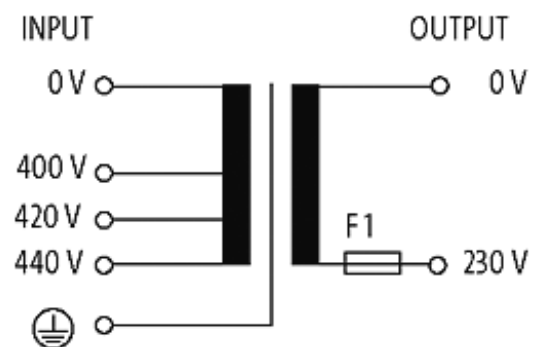
P:1000VA IN:400/420/440VAC OUT:230VAC

Single-phase - Control and Isolation Transformers
1000 VA
with fuse

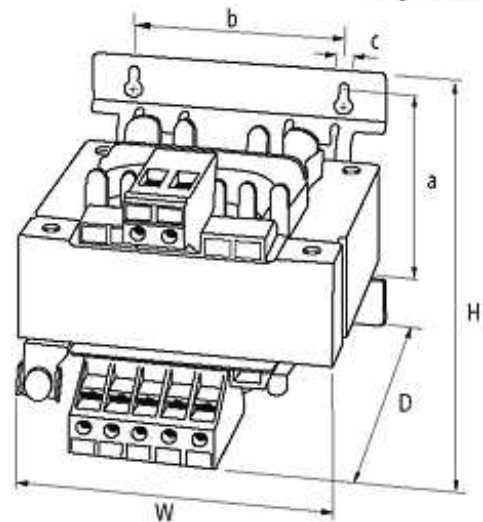
Other voltages on request.

[Link to Product](#)

Illustration



stay connected



Product may differ from Image

Input

Input voltage	400, 420, 440 V AC
Input current	2.8 A (400 V AC)
Inrush current	31 A (400 V AC)
Short-circuit current	78 A (400 V AC)
Frequency	50...60 Hz

General data

Standards	EN 61558-2-4, EN 62041 category 0
Test isolation voltage	5.7 kV
Mounting method	Key-hole mounting
Dimensions H × W × D	156×150×150 mm
Fixing centers a × b × c	134×122×7 mm
Temperature range	-20...+40 °C (storage temperature -40...+80 °C)

Output

Output voltage	230 V AC
----------------	----------

Commercial data

country of origin	CZ
customs tariff number	85043180
minimum order quantity	10