

## MTS SINGLE-PHASE CONTROL AND ISOLATION TRANSFORMER

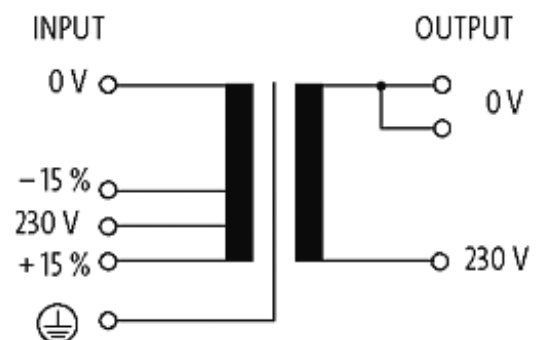
P:63VA IN:230VAC±15VAC OUT:230VAC/2x0VAC

Single-phase - Control and Isolation Transformers  
63 VA  
Isolation class T 40/B

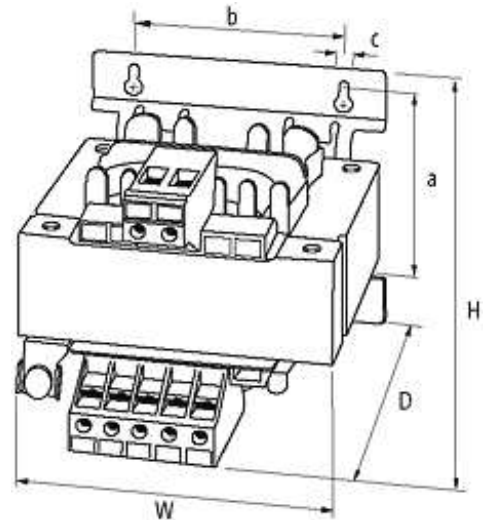
Other voltages on request.

### [Link to Product](#)

#### Illustration



stay connected



Product may differ from Image

### Input

Input voltage	230 ±15 V AC
Input current	0.322 A (230 V AC)
Inrush current	2 A (230 V AC)
Short-circuit current	2.64 A (230 V AC)
Frequency	50...60 Hz

### General data

Standards	EN 61558-2-4, EN 62041 category 0
Test isolation voltage	3.8 kV
Mounting method	Screw and DIN-rail mounting
Dimensions H × W × D	92×79×93 mm
Fixing centers a × b × c	56×56×4.8 mm
Drill hole Ø	4.8×8.4 mm
Temperature range	-20...+40 °C (storage temperature -40...+80 °C)

### Output

Output voltage	230 V AC
----------------	----------

### Commercial data

country of origin	CZ
customs tariff number	85043180
minimum order quantity	10