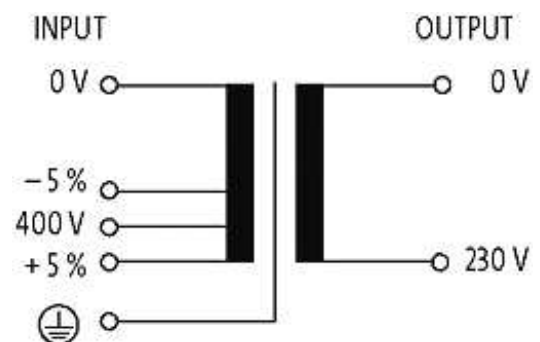


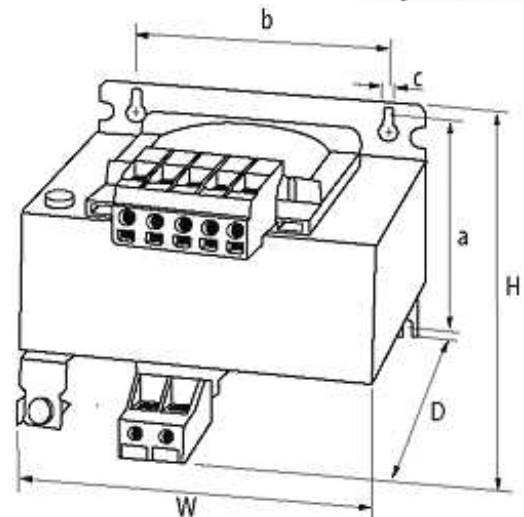
MST SINGLE-PHASE CONTROL AND ISOLATION TRANSFORMER

P:2400VA IN:400VAC±5% OUT:230VAC

Single-phase - Control and Isolation Transformers
2400 VA
Isolation class T 40/B

[Link to Product](#)**Illustration**

stay connected



Product may differ from Image

Approvals



Input

Input voltage	400 V AC $\pm 5\%$
Frequency	50...60 Hz
Input current	6.3 A (400 V AC)
Inrush current	63 A (400 V AC)
Short-circuit current	294 A (400 V AC)

General data

Standards	EN 61558-1, EN 61558-2-4, EN 62041 category 0
Test isolation voltage	4 kV (prim./sec.)
Dimensions H x W x D	185x192x185 mm
Fixing centers a x b x c	155x150x10 mm
Drill hole \varnothing	10x14 mm
Mounting method	Long-hole mounting
Temperature range	-20...+40 °C (storage temperature -40...+80 °C)

Output

Output voltage	230 V AC
----------------	----------

Commercial data

country of origin	CZ
customs tariff number	85043200
minimum order quantity	5