

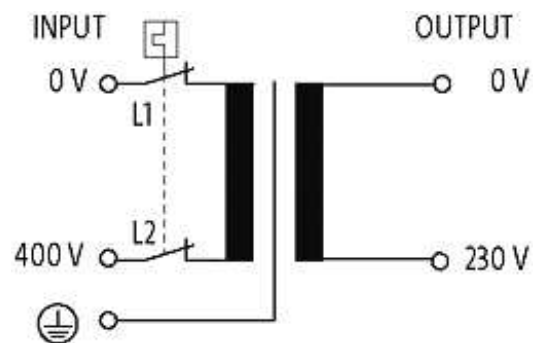
MST SINGLE-PHASE CONTROL AND ISOLATION TRANSFORMER

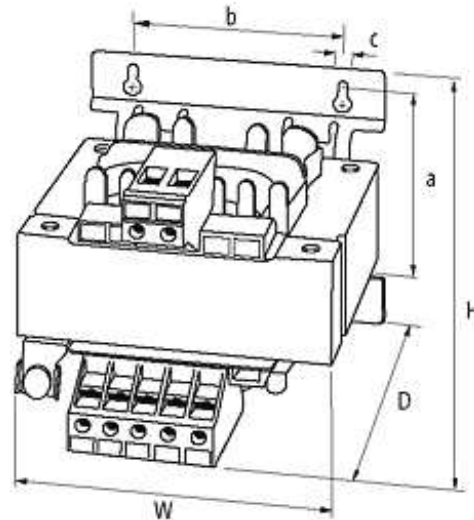
P:3000VA IN:400VAC OUT:230VAC

Single-phase safety transformer
3000 VA
Isolation class T 40/B
Motor protection switch

[Link to Product](#)

Illustration





Product may differ from Image

Input

Input voltage	400 V AC
Input current	8.1 A (400 V AC)
Inrush current	109 A (400 V AC)
Short-circuit current	303 A (400 V AC)
Frequency	50...60 Hz

General data

Standards	EN 61558-1, EN 61558-2-4, EN 62041 category 0
Test isolation voltage	4.6 kV
Mounting method	Long-hole mounting
Dimensions H × W × D	190×195×275 mm
Fixing centers a × b × c	125.7×150×10 mm
Drill hole Ø	10×18 mm
Temperature range	-20...+40 °C (storage temperature -40...+80 °C)

Output

Output voltage	230 V AC
----------------	----------

Commercial data

country of origin	CZ
customs tariff number	85043200
minimum order quantity	10