

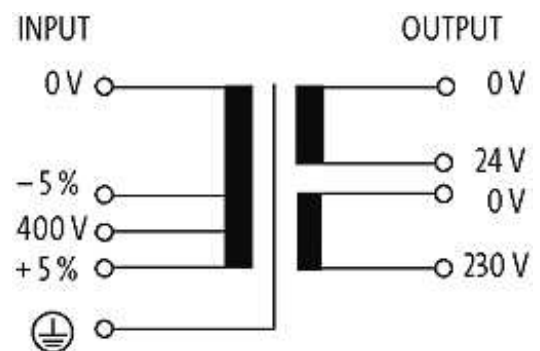
## MTS SINGLE-PHASE CONTROL AND ISOLATION TRANSFORMER

P:150VA IN:400VAC±5% OUT:24VAC/230VAC

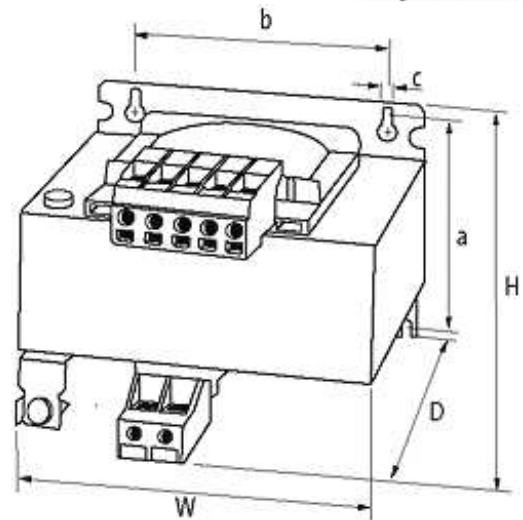
Single-phase - Control and Isolation Transformers  
150 VA  
Isolation class T 40/B

### [Link to Product](#)

#### Illustration



stay connected



Product may differ from Image

### Approvals



### Input

Input voltage	400 V AC $\pm 5\%$
Input current	0.45 A (400 V AC)
Inrush current	4.5 A (400 V AC)
Short-circuit current	6 A (400 V AC)
Frequency	50...60 Hz

### General data

Standards	EN 61558-2-4, EN 61558-2-6, EN 62041 category 0
Test isolation voltage	5.8 kV (prim./sec.)
Dimensions H x W x D	88x84x98 mm
Fixing centers a x b x c	64.5x64x4.8 mm
Drill hole $\varnothing$	4.8x8.4 mm
Mounting method	screw fixing
Temperature range	-20...+40 °C (storage temperature -40...+80 °C)

### Output

Output voltage	24/230 V AC
----------------	-------------

### Commercial data

country of origin	CZ
customs tariff number	85043180
minimum order quantity	10