

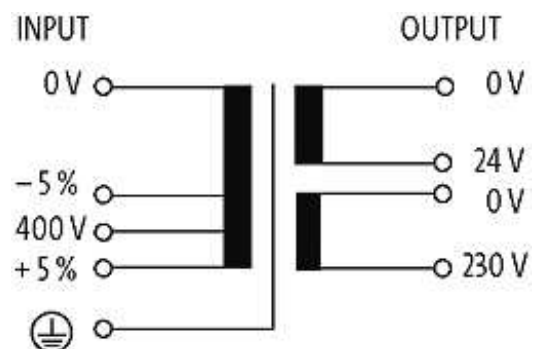
MTS SINGLE-PHASE CONTROL AND ISOLATION TRANSFORMER

P:250VA IN:400VAC±5% OUT:24VAC/230VAC

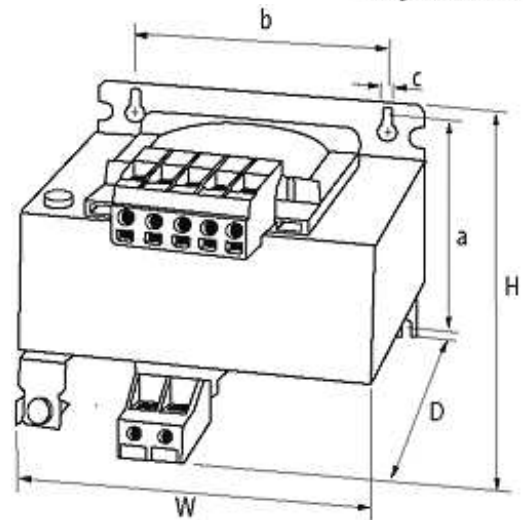
Single-phase - Control and Isolation Transformers
250 VA
Isolation class T 40/B

[Link to Product](#)

Illustration



stay connected



Product may differ from Image

Approvals



Input

Input voltage	400 V AC $\pm 5\%$
Input current	0.74 A (400 V AC)
Inrush current	9.1 A (400 V AC)
Short-circuit current	13.2 A (400 V AC)
Frequency	50...60 Hz

General data

Standards	EN 61558-2-4, EN 61558-2-6, EN 62041 category 0
Test isolation voltage	5.8 kV (prim./sec.)
Dimensions H x W x D	104x97x108 mm
Fixing centers a x b x c	86.5x84x4.8 mm
Drill hole \varnothing	4.8x8.4 mm
Mounting method	screw fixing
Temperature range	-20...+40 °C (storage temperature -40...+80 °C)

Output

Output voltage	24/230 V AC
----------------	-------------

Commercial data

country of origin	CZ
customs tariff number	85043180
minimum order quantity	10