

MTS SINGLE-PHASE SAFETY TRANSFORMER

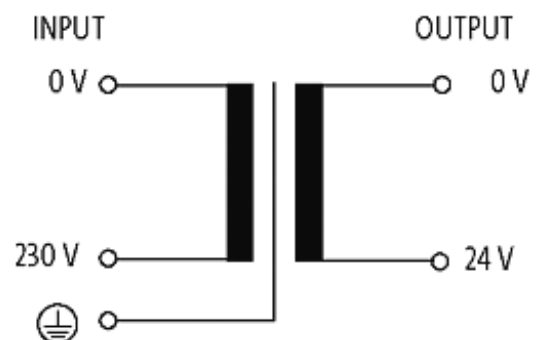
P:30VA IN:230VAC OUT:24VAC

Single-phase - Control and Isolation Transformers
30 VA
Isolation class T 40/B

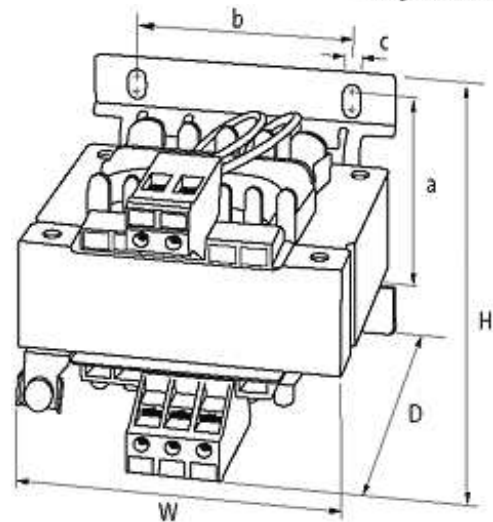
Other voltages on request.

[Link to Product](#)

Illustration



stay connected



Product may differ from Image

Input

Input voltage	230 V AC
Input current	0.17 A (230 V AC)
Inrush current	0.95 (230 V AC)
Short-circuit current	1.35 A (230 V AC)
Frequency	50...60 Hz

General data

Standards	EN 61558-1, EN 61558-2-6, EN 62041 category 0
Test isolation voltage	3.8 kV
Mounting method	Screw and DIN-rail mounting
Dimensions H × W × D	92×79×93 mm
Fixing centers a × b × c	56×56×4.8 mm
Drill hole Ø	4.8×8.4 mm
Temperature range	-20...+40 °C (storage temperature -40...+80 °C)

Output

Output voltage	24 V AC
----------------	---------

Commercial data

country of origin	CZ
customs tariff number	85043180
minimum order quantity	10