

## MST SINGLE-PHASE CONTROL AND ISOLATION TRANSFORMER

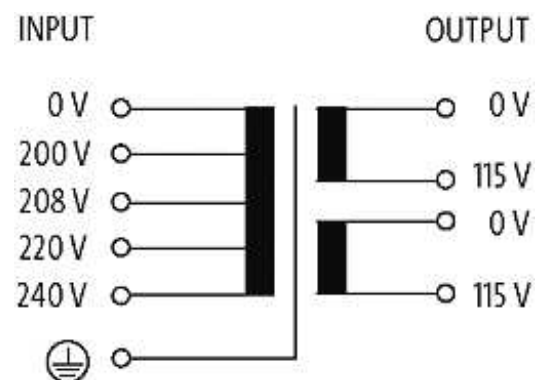
P:160VA IN:200/208/220/240VAC OUT:2x115VAC

Single-phase - Control and Isolation Transformers  
160 VA  
Isolation class T 40/B

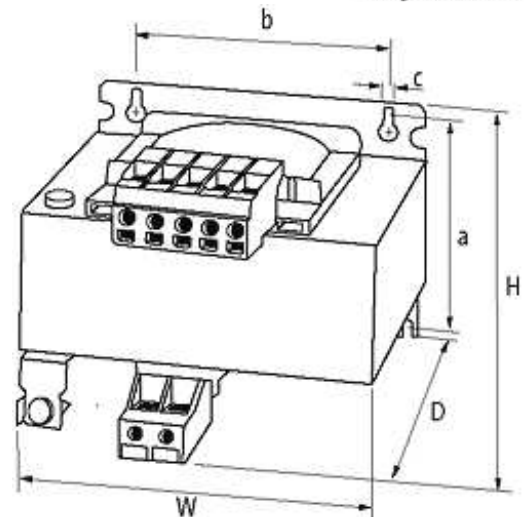
Other voltages on request.

### [Link to Product](#)

#### Illustration



stay connected



Product may differ from Image

### Approvals



### Input

Input voltage	200, 208, 220, 240 V AC
Input current	0.92 A (200 V AC)
Inrush current	9 A (200 V AC)
Short-circuit current	14.4 A (200 V AC)
Frequency	50...60 Hz

### General data

Standards	EN 61558-1, EN 61558-2-4, EN 62041 category 0
Test isolation voltage	3.9 kV
Mounting method	Key-hole mounting
Dimensions H × W × D	91×97×105 mm
Fixing centers a × b × c	75.3×84×5.8 mm
Drill hole Ø	5.8×12 mm
Temperature range	-20...+40 °C (storage temperature -40...+80 °C)

### Output

Output voltage	2 × 115 V AC
----------------	--------------

### Commercial data

country of origin	CZ
customs tariff number	85043180
minimum order quantity	10