

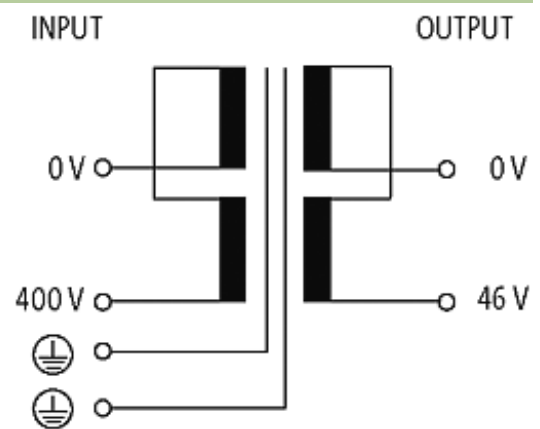
MST SINGLE-PHASE SAFETY TRANSFORMER

P:1070VA IN:400VAC OUT:46VAC

Single-phase safety transformer
1070 VA
Isolation class T 40/B
Motor protection switch

[Link to Product](#)

Illustration



Product may differ from Image

Input

Input voltage	400 V AC
Input current	2.9 A (400 V AC)
Inrush current	35 A (400 V AC)
Short-circuit current	76 A (400 V AC)
Frequency	50...60 Hz

General data

Standards	EN 61558-2-6, EN 62041 category 0
Test isolation voltage	5.8 kV (prim./sec.)
Mounting method	Long-hole mounting
Dimensions H x W x D	95x175x220 mm
Fixing centers a x b x c	88x176 mmxM8
Drill hole Ø	M8
Temperature range	-20...+40 °C (storage temperature -40...+80 °C)

Output

Output voltage	46 V AC
----------------	---------

Commercial data

country of origin	CZ
-------------------	----

customs tariff number	85043200
minimum order quantity	10
