

## MST SINGLE-PHASE SAFETY TRANSFORMER

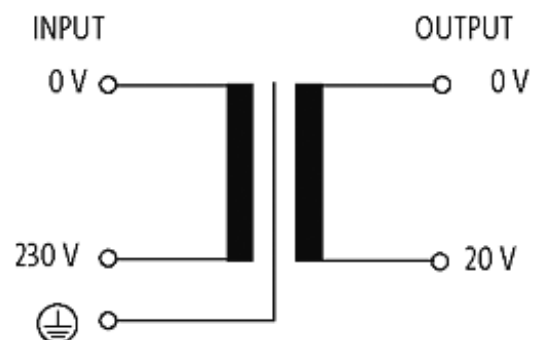
P:100VA IN:230VAC OUT:20VAC

Single-phase - Control and Isolation Transformers  
100 VA  
Isolation class T 40/B

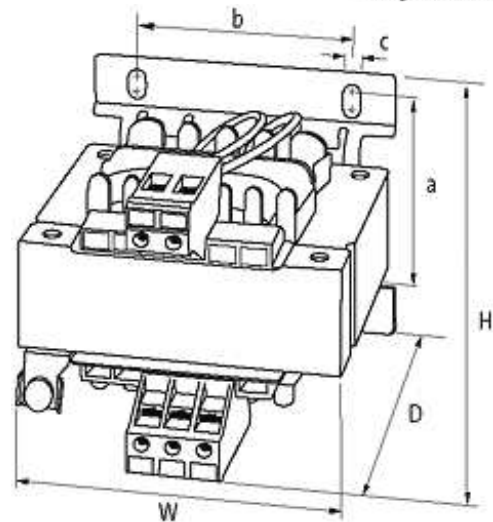
Other voltages on request.

### [Link to Product](#)

#### Illustration



stay connected



Product may differ from Image

### Input

|                       |                   |
|-----------------------|-------------------|
| Input voltage         | 230 V AC          |
| Input current         | 0.52 A (230 V AC) |
| Inrush current        | 5 A (230 V AC)    |
| Short-circuit current | 7 A (230 V AC)    |
| Frequency             | 50...60 Hz        |

### General data

|                          |   |
|--------------------------|---|
| Standards                | EN 61558-2-6, EN 62041 category 0               |
| Test isolation voltage   | 3.8 kV  |
| Mounting method          | Key-hole mounting                               |
| Dimensions H × W × D     | 88×85×95 mm                                     |
| Fixing centers a × b × c | 65.3×64×4.8 mm                                  |
| Drill hole Ø             | 4.8×12 mm                                       |
| Temperature range        | -20...+40 °C (storage temperature -40...+80 °C) |

### Output

|                |         |
|----------------|---------|
| Output voltage | 20 V AC |
|----------------|---------|

### Commercial data

|                        |          |
|------------------------|----------|
| country of origin      | CZ       |
| customs tariff number  | 85043180 |
| minimum order quantity | 10       |