

## MET SINGLE-PHASE CONTROL AND ISOLATION TRANSFORMER

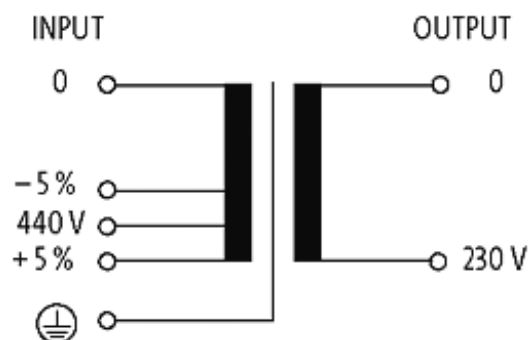
P:3000VA IN:440VAC±5% OUT:230VAC

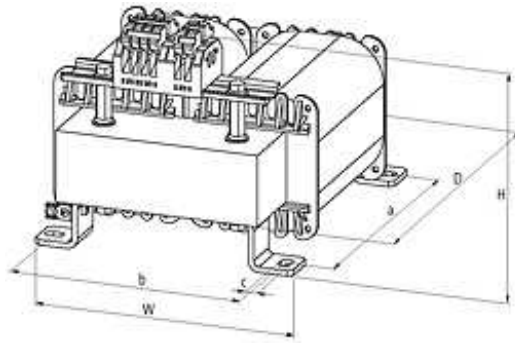
Single-phase - Control and Isolation Transformers  
3000 VA  
Isolation class T 40/B

Other voltages on request.

### [Link to Product](#)

#### Illustration





Product may differ from Image

### Input

Input voltage	440 V AC $\pm 5\%$
Input current	7.2 A (440 V AC)
Inrush current	97 A (440 V AC)
Short-circuit current	300 A (440 V AC)
Frequency	50...60 Hz

### General data

Standards	EN 61558-1, EN 61558-2-4, EN 62041 category 0
Test isolation voltage	6 kV
Mounting method	Long-hole mounting
Dimensions H x W x D	195x197x250 mm
Fixing centers a x b x c	174x200x9 mm
Drill hole $\varnothing$	9x14 mm
Temperature range	-20...+40 °C (storage temperature -40...+80 °C)

### Output

Output voltage	230 V AC
----------------	----------

### Commercial data

country of origin	CZ
customs tariff number	85043200
minimum order quantity	5