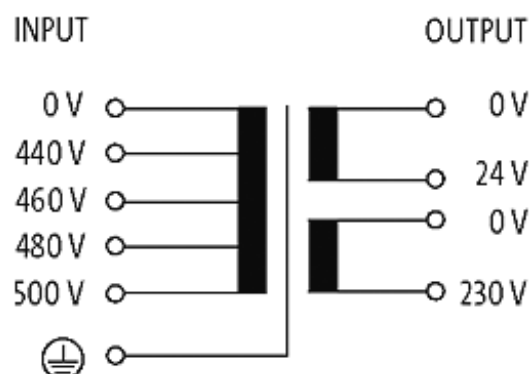


**MTS SINGLE-PHASE CONTROL AND ISOLATION TRANSFORMER**

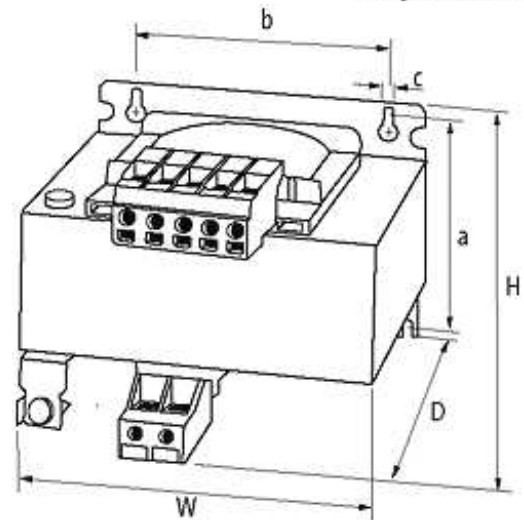
P:150VA IN:440/460/480/500VAC OUT:24VAC/230VAC

Single-phase - Control and Isolation Transformers  
3000 VA  
Isolation class T 40/B  
150 VA (440; 460; 480; 500 V AC)

Other voltages on request.

[Link to Product](#)**Illustration**

stay connected



Product may differ from Image

### Input

|                       |                                      |
|-----------------------|--------------------------------------|
| Input voltage         | 440, 460, 480, 500 V AC              |
| Input current         | 0.41 A (440 V AC); 0.36 A (500 V AC) |
| Inrush current        | 4.2 A (440 V AC)                     |
| Short-circuit current | 5.4 A (440 V AC)                     |
| Frequency             | 50...60 Hz                           |

### General data

|                          |   |
|--------------------------|---|
| Standards                | EN 61558-2-4, EN 61558-2-6, EN 62041 category 0 |
| Test isolation voltage   | 6.1 kV  |
| Mounting method          | Long-hole mounting                              |
| Dimensions H × W × D     | 101×96×106 mm                                   |
| Fixing centers a × b × c | 86.5×84×4.8 mm                                  |
| Drill hole Ø             | 4.8×8.4 mm                                      |
| Temperature range        | -20...+40 °C (storage temperature -40...+80 °C) |

### Output

|                |             |
|----------------|-------------|
| Output voltage | 24/230 V AC |
|----------------|-------------|

### Commercial data

|                        |          |
|------------------------|----------|
| country of origin      | CZ       |
| customs tariff number  | 85043180 |
| minimum order quantity | 10       |