

MTS SINGLE-PHASE SAFETY TRANSFORMER

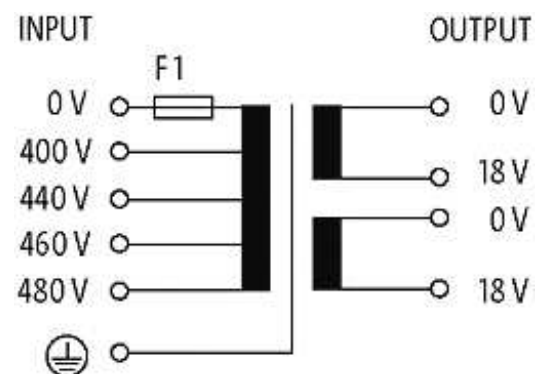
P:25VA IN:400/440/460/480VAC OUT:2x18VAC

Single-phase - Control and Isolation Transformers
25 VA
Isolationsklasse T 50/B

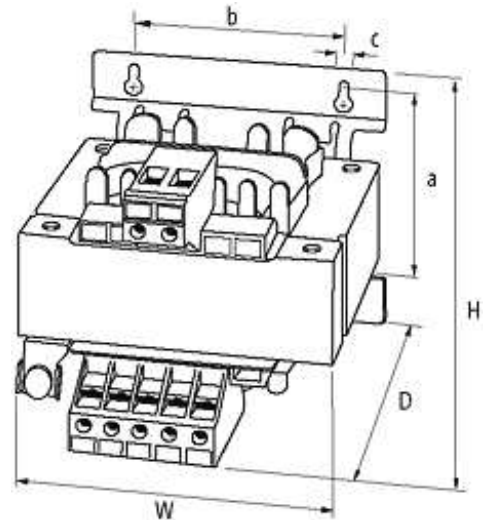
Other voltages on request.

[Link to Product](#)

Illustration



stay connected



Product may differ from Image

Input

Input voltage	400, 440, 460, 480 V AC
Input current	0.094 A (400 V AC); 0.078 A (480 V AC)
Inrush current	0.6 A (400 V AC); 0.5 A (480 V AC)
Short-circuit current	0.7 A (400 V AC); 0.57 A (480 V AC)
Frequency	50...60 Hz

General data

Standards	EN 61558-1, EN 61558-2-6, EN 62041 category 0
Test isolation voltage	6 kV
Mounting method	Long-hole mounting
Dimensions H × W × D	82×78×95 mm
Fixing centers a × b × c	56×56×4.8 mm
Drill hole Ø	4.8×8.4 mm
Temperature range	-20...+50 °C (storage temperature -40...+80 °C)

Output

Output voltage	2 × 18 V AC
----------------	-------------

Commercial data

country of origin	CZ
customs tariff number	85043180
minimum order quantity	10