

## MST SINGLE-PHASE CONTROL AND ISOLATION TRANSFORMER

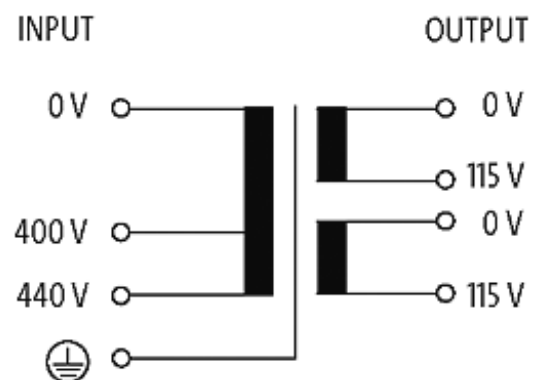
P:250VA IN:400/440VAC OUT:115/230VAC

Single-phase - Control and Isolation Transformers  
250 VA  
Isolation class T 40/B

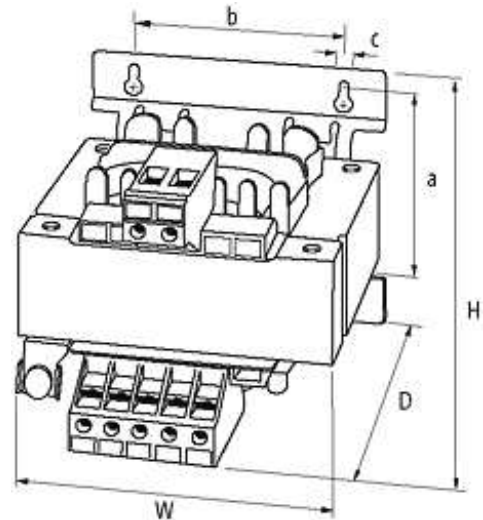
Other voltages on request.

### [Link to Product](#)

#### Illustration



stay connected



Product may differ from Image

### Input

Input voltage	400, 440 V AC
Input current	0.71 A (400 V AC); 0.64 A (440 V AC)
Inrush current	6.3 A (400 V AC); 5.7 A (440 V AC)
Short-circuit current	11.7 A (400 V AC); 10.6 A (440 V AC)
Frequency	50...60 Hz

### General data

Standards	EN 61558-2-4, EN 62041 category 0
Test isolation voltage	5.9 kV
Mounting method	Long-hole mounting
Dimensions H × W × D	116×96×106 mm
Fixing centers a × b × c	86.5×84×4.8 mm
Drill hole Ø	4.8×8.4 mm
Temperature range	-20...+40 °C (storage temperature -40...+80 °C)

### Output

Output voltage	1 × 230, 1 × 115, 2 × 115 V AC
----------------	--------------------------------

### Commercial data

country of origin	CZ
customs tariff number	85043180
minimum order quantity	10