

MST SINGLE-PHASE CONTROL AND ISOLATION TRANSFORMER

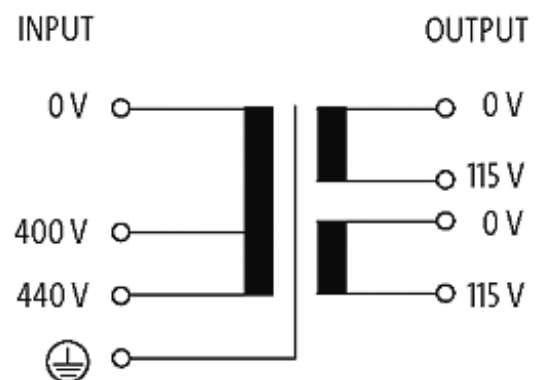
P:800VA IN:400/440VAC OUT:115/230VAC

Single-phase - Control and Isolation Transformers
800 VA
Isolation class T 40/B

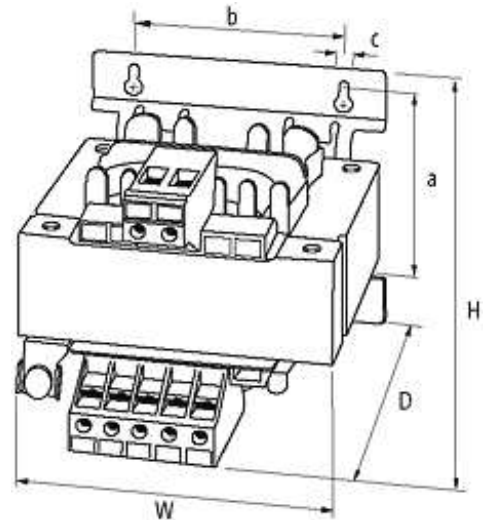
Other voltages on request.

[Link to Product](#)

Illustration



stay connected



Product may differ from Image

Input

Input voltage	400, 440 V AC
Input current	2.2 A (400 V AC); 1.98 A (440 V AC)
Inrush current	22 A (400 V AC); 20 A (440 V AC)
Short-circuit current	62 A (400 V AC); 56 A (440 V AC)
Frequency	50...60 Hz

General data

Standards	EN 61558-2-4, EN 62041 category 0
Test isolation voltage	5.9 kV
Mounting method	Key-hole mounting
Dimensions H x W x D	130x150x145 mm
Fixing centers a x b x c	107.5x122x7 mm
Drill hole Ø	7x14 mm
Temperature range	-20...+40 °C (storage temperature -40...+80 °C)

Output

Output voltage	1 x 230, 1 x 115, 2 x 115 V AC
----------------	--------------------------------

Commercial data

country of origin	CZ
customs tariff number	85043180
minimum order quantity	10