

MST SINGLE-PHASE CONTROL AND ISOLATION TRANSFORMER

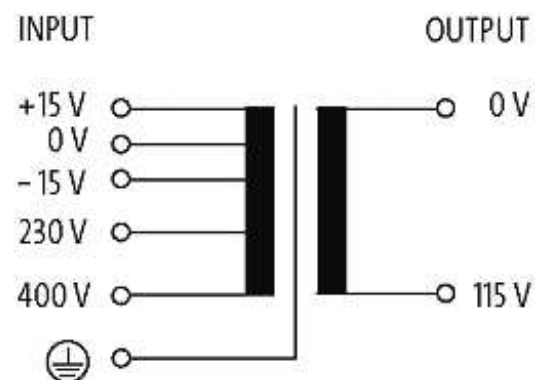
P:250VA IN:230/400±15VAC OUT:115VAC

Single-phase - Control and Isolation Transformers
250 VA
Isolation class T 40/B

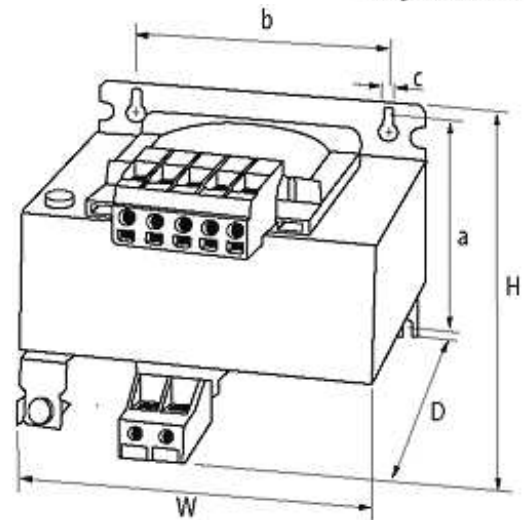
Other voltages on request.

[Link to Product](#)

Illustration



stay connected



Product may differ from Image

Input

Input voltage	230/400 ±15 V AC
Input current	1.25 A (230 V AC); 0.72 A (400 V AC)
Inrush current	12 A (230 V AC); 7 A (400 V AC)
Short-circuit current	19 A (230 V AC); 11 A (400 V AC)
Frequency	50...60 Hz

General data

Standards	EN 61558-2-4, EN 62041 category 0
Test isolation voltage	5.8 kV (prim./sec.)
Mounting method	Key-hole mounting
Dimensions H × W × D	104.3×96×105 mm
Fixing centers a × b × c	84×84×5.8 mm
Drill hole Ø	5.8×10 mm
Temperature range	-20...+40 °C (storage temperature -40...+80 °C)

Output

Output voltage	115 V AC
----------------	----------

Commercial data

country of origin	CZ
customs tariff number	85043180
minimum order quantity	10