

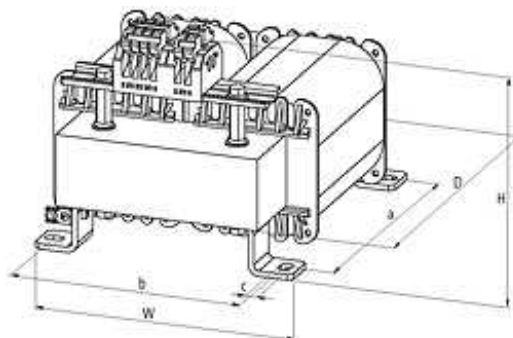
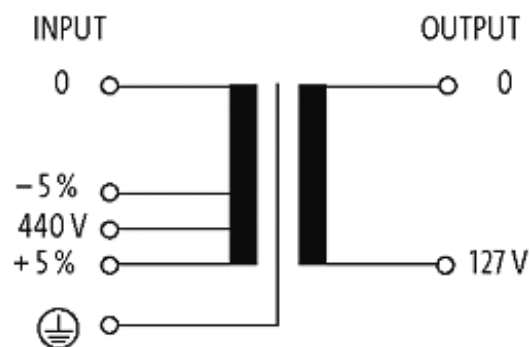
## MET SINGLE-PHASE CONTROL AND ISOLATION TRANSFORMER

P:1000VA IN:440VAC±5% OUT:127VAC

Single-phase - Control and Isolation Transformers  
1000 VA  
Isolation class T 60/B

### [Link to Product](#)

#### Illustration



Product may differ from image

Product may differ from image

### Approvals



### Input

Input voltage	440 V AC $\pm$ 5 %
Input current	2.43 A (440 V AC)
Inrush current	45 A (440 V AC)
Short-circuit current	100 A (440 V AC)
Frequency	50...60 Hz

### General data

Dimensions H x W x D	137x174x165 mm
Fixing centers a x b x c	111.5x135x7 mm
Drill hole $\varnothing$	7x16 mm
Mounting method	Long-hole mounting
Temperature range	-20...+60 °C

### Output

Output voltage	127 V AC
----------------	----------

### Commercial data

country of origin	CZ
customs tariff number	85043180
minimum order quantity	10