

## MTS Single-phase control and isolation transformer

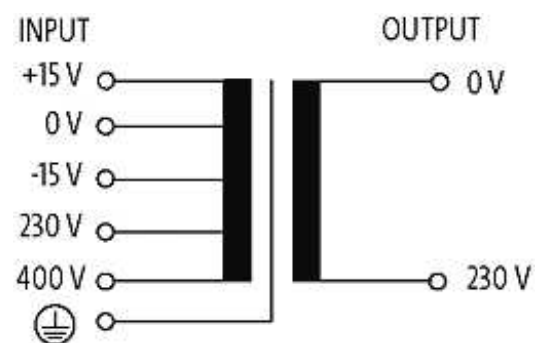
P:400VA IN:230-400±15VAC OUT:230VAC

Single-phase - Control and Isolation Transformers  
 400 VA  
 230/400 ±15 V AC  
 Isolation class T 40/B

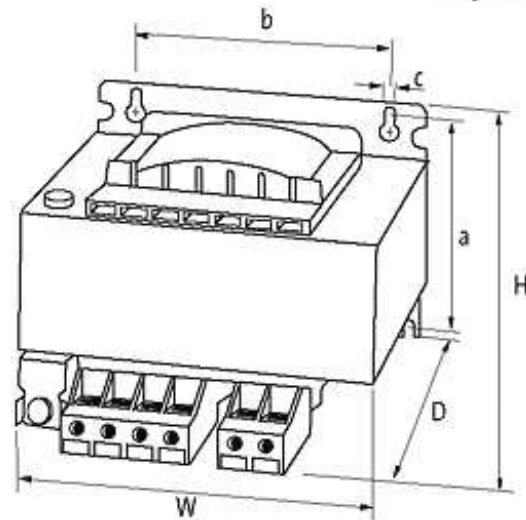
Other voltages on request.

### [Link to Product](#)

#### Illustration

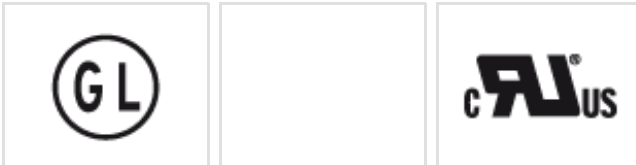


stay connected



Product may differ from Image

### Approvals



### Input

Input voltage	230/400 ±15 V AC
Input current	1.89 A (230 V AC); 1.1 A (400 V AC)
Inrush current	33 A (230 V AC); 19 A (400 V AC)
Short-circuit current	37 A (230 V AC); 21 A (400 V AC)
Frequency	50...60 Hz

### General data

Test isolation voltage	4 kV (prim./sec.)
Standards	EN 61558-1, EN 61558-2-4, EN 62041 category 0
Drill hole Ø	5.8×10 mm
Fixing centers a × b × c	86.5×90×5.8 mm
Mounting method	Key-hole mounting
Dimensions H × W × D	104×120×123 mm
Temperature range	-20...+40 °C, no condensation

### Output

Output voltage	230 V AC
----------------	----------

### Commercial data

country of origin	CZ
customs tariff number	85043180
minimum order quantity	1