

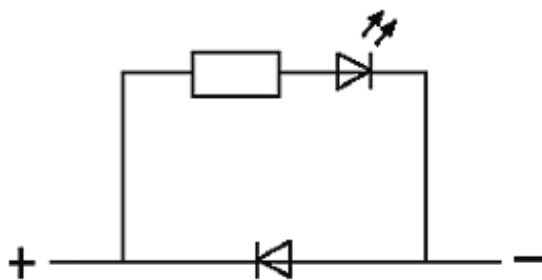
VALVE PLUG SUPPRESSOR FORM A - 18MM

Diode and LED, 24VDC/50VA/W

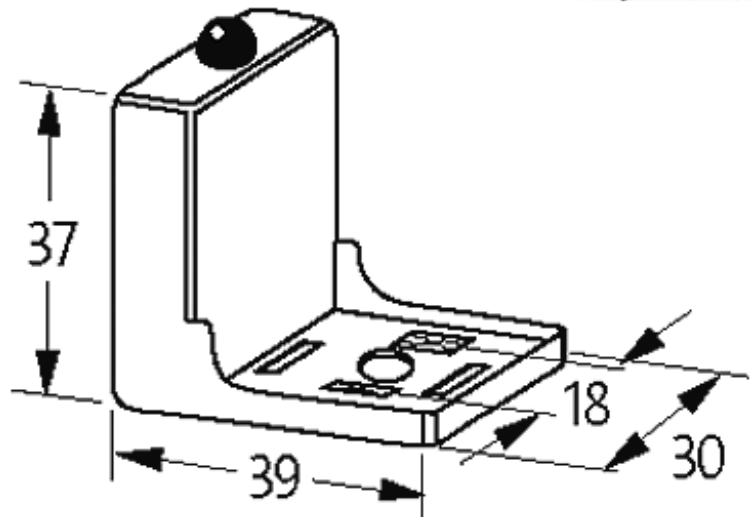
24 V DC

Diode + LED

Remove plug gasket when fitting adapter. Other LED colors on request. Polarity dependent

[Link to Product](#)**Illustration**

LED + Diode



Product may differ from Image

General data

Housing	Polyamide black, flame retardant, temperature resistance up to 130 °C
Temperature range	-20...+60 °C
Contact material	Silvered bronze
Dimensions H × W × D	37×39×30 mm

Technical Data

Switch off peak	1 V
Switch off delay time	max. 200 ms
Max. power (W)	max. 50 W(VA)

Commercial data

country of origin	CZ
customs tariff number	85363010
minimum order quantity	1