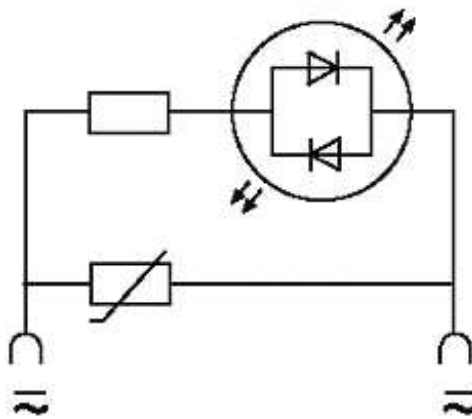


**VALVE PLUG SUPPRESSOR FORM A - 18MM**

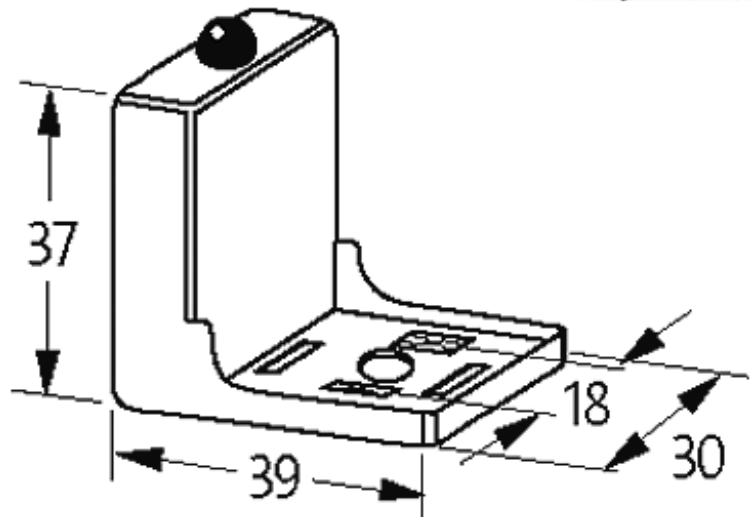
Varistor and LED, 24VAC/DC/50VA/W

24 V AC/DC  
VDR + LED

Remove plug gasket when fitting adapter. Other LED colors on request.

[Link to Product](#)**Illustration**

LED + VDR



Product may differ from Image

### General data

Housing	Polyamide black, flame retardant, temperature resistance up to 130 °C
Temperature range	-20...+60 °C
Contact material	Silvered bronze
Dimensions H × W × D	37×39×30 mm

### Technical Data

Switch off peak	max. 45 V
Switch off delay time	min. 15 ms
Max. power (W)	max. 50 W(VA)

### Commercial data

country of origin	CZ
customs tariff number	85363010
minimum order quantity	1