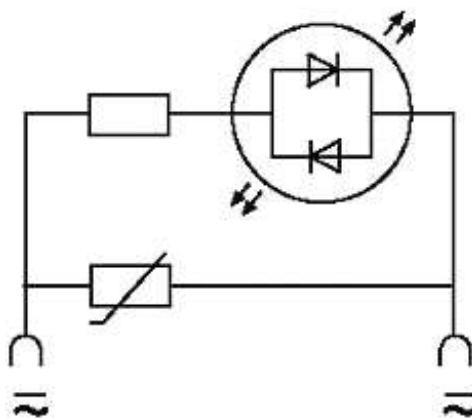


**VALVE PLUG SUPPRESSOR FORM A - 18MM**

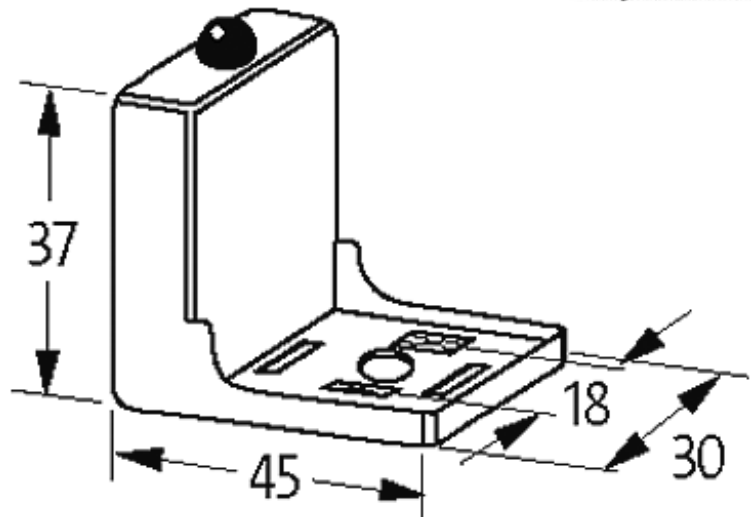
Varistor and LED, 230VAC/DC/100VA/W

230 V AC/DC  
VDR + LED

Remove plug gasket when fitting adapter. Other LED colors on request.

[Link to Product](#)**Illustration**

LED + VDR



Product may differ from Image

### General data

|                      |                                                                       |
|----------------------|-----------------------------------------------------------------------|
| Housing              | Polyamide black, flame retardant, temperature resistance up to 130 °C |
| Temperature range    | -20...+60 °C                                                          |
| Contact material     | Silvered bronze                                                       |
| Dimensions H × W × D | 37×45×30 mm                                                           |

### Technical Data

|                       |                |
|-----------------------|----------------|
| Switch off peak       | max. 360 V     |
| Switch off delay time | min. 15 ms     |
| Max. power (W)        | max. 100 W(VA) |

### Commercial data

|                        |          |
|------------------------|----------|
| country of origin      | CZ       |
| customs tariff number  | 85363010 |
| minimum order quantity | 1        |